

---

# **BIOMARINE**

---

## **BioPak 240 LW Illustrated Parts & Assemblies**

*Ntron*

**Mullaghboy Industrial Park**

**Navan, Co Meath, Ireland**

**Phone: (00353) 469071333**

**Fax: (00353) 469071331**

[Web: www.Ntron.com](http://www.Ntron.com)

Email: [info@Ntron.com](mailto:info@Ntron.com)

## BioPak 240 LW PN # B7-07-2400-05-0

### DESCRIPTION

BioPak 240 LW Complete w/Case, w/o Facemask

(includes Double-Pin Yoke Assembly; oxygen cylinder, scrubber assembly, gel tube insert and hard transit case)

### PART#

B7-07-2400-05-0

## Scott Facemask Assembly (See Diagram 1)

### QTY ITEM# DESCRIPTION

### PART #

#### USE THE SCOTT MASK DISCOUNTED PRICES BELOW WHEN ORDERING BIOPAK

	1	Scott Facemask, Small (When purchased w/BioPak)	B6-02-5001-45-0
OPT	1	Comfort Seal, Scott Facemask, Large (When purchased w/BioPak)	B6-02-5001-45-1
OPT	1	Scott Facemask, XL (When purchased w/BioPak)	B6-02-5001-45-2
		<b>SCOTT MASK WITH WIPER INSTALLED DISCOUNTED WHEN ORDERED W/BIOPAK</b>	
	1	Scott Facemask, Small (When purchased w/BioPak)	B6-02-5001-45-3
OPT	1	Comfort Seal, Scott Facemask, Large (When purchased w/BioPak)	B6-02-5001-45-4
OPT	1	Scott Facemask, XL (When purchased w/BioPak)	B6-02-5001-45-5

#### USE THE SCOTT MASK REGULAR PRICES BELOW WHEN ORDERING MASK ONLY

	1	Scott Facemask, Small (When purchased ALONE)	B6-02-5001-45-0
OPT	1	Comfort Seal, Scott Facemask, Large (When purchased ALONE)	B6-02-5001-45-1
OPT	1	Scott Facemask, X-Large (When purchased ALONE)	B6-02-5001-45-2
		<b>SCOTT MASK WITH WIPER INSTALLED WHEN ORDERING MASK ONLY</b>	
	1	Scott Facemask, Small (When purchased w/BioPak)	B6-02-5001-45-3
OPT	1	Comfort Seal, Scott Facemask, Large (When purchased w/BioPak)	B6-02-5001-45-4
OPT	1	Scott Facemask, XL (When purchased w/BioPak)	B6-02-5001-45-5

#### RAW SCOTT MASK ASSEMBLY (W/O T-BAR) & ACCESSORIES

OPT	1	Comfort Seal, Scott Facemask, Small w/o T-Bar (When purchased ALONE)	B2-06-6001-11-0
OPT	1	Comfort Seal, Scott Facemask, Large w/o T-Bar (When purchased ALONE)	B2-06-6001-12-0
OPT	1	Comfort Seal, Scott Facemask, XL w/o T-Bar (When purchased ALONE)	B2-06-6001-13-0
	1	2 Completed T-Bar Mask Connection Assembly (Complete w/all hardware)	B6-02-5001-68-0
	2	3 Check Valve Gasket	B2-02-7100-12-0
	1	4 Exhalation Check Valve Holder	B2-02-4100-16-0
	1	5 Inhalation Check Valve Holder	B2-02-4100-17-0
	2	6 Check Valve	B2-02-7100-06-0
	2	7 48.5mm Hose Clamp	B2-06-6000-25-0
	2	8 Hose Elbow	B2-02-7100-07-0
	1	9 Green Cable Tie	B3-04-0300-06-0
	1	10 Red Cable Tie	B3-04-0300-05-0
	2	11 38.1mm Hose Clamp	B2-06-6000-24-0
	2	12 Hose Adapter	B2-02-1300-04-0
1 (Not Shown)		Anti-Fog Lens Insert	B2-02-0000-30-0
OPT	13	Eye Glass Mounting Kit	B2-06-6001-15-0
OPT	14	Voice Amplifier Module	B2-06-6001-16-0

## Interspiro/AGA Facemask Assembly (See Diagram 2)

QTY	ITEM#	DESCRIPTION	PART #
<b>USE THIS AGA MASK DISCOUNTED PRICE WHEN ORDERING WITH BIOPAK</b>			
OPT		Interspiro AGA Mask One size fits all (When purchased w/BioPak)	B6-02-5000-25-0
		Interspiro AGA Mask WITH Wiper Option Installed (When purchased with BioPak)	B6-02-5000-25-2
<b>USE THIS AGA MASK REGULAR PRICE WHEN ORDERING MASK ONLY</b>			
OPT		Interspiro AGA Mask One size fits all (When purchased ALONE)	B6-02-5000-25-0
		Interspiro AGA Mask WITH Wiper Option Installed (When purchased ALONE)	B6-02-5000-25-2
QTY	ITEM#	DESCRIPTION	PART #
1	1	Adapter Sub-Assembly	B6-02-5001-01-0
2	2	Check Valve	B2-02-7100-06-0
1	3	O-Ring, Speaking Diaphragm	B4-04-7070-05-0
2	4	Speaking Diaphragm Assembly	B6-02-5000-80-0
1	5	Cover, Speaking Diaphragm	B2-02-4100-74-0
4	6	Screw, Machined Pan Head, #4-40 x 7/16	B3-01-1041-05-0
1	7	Plug, Adapter	B2-02-4100-31-0
1	8	O-Ring, Plastic Mask Plug	B4-04-7060-08-0
1	9	Strap, Ligarex (2 ft. Required per mask)	B2-06-6000-46-0
1	10	Lock, Ligarex	B2-06-6000-44-0
Not Shown		Tool, Ligarex	B2-03-3000-04-0
1	11	Mask, (includes lens, frame, straps)	B2-06-6000-45-0
1	12	Lens	B2-02-4400-00-0
REF	13	Green Cable Tie	B3-04-0300-06-0
1	14	Anti-Fog Lens Insert	B2-02-0000-30-0
1	15	Mask Retainer	B2-02-3300-16-0
1	16	Headstrap (AGA)	B2-06-6000-58-0
1	17	Lens Frame Assembly w/Screws (AGA)	B2-06-6000-59-0
2	18	Check Valve Gasket	B2-02-7100-12-0
1	19	Inhalation Valve Holder	B2-02-4100-17-0
1	20	Exhalation Valve Holder	B2-02-4100-16-0
2	21	48.5mm Hose Clamp (REPLACE IF REMOVED)	B2-06-6000-25-0
2	22	Hose Elbow	B2-02-7100-07-0
2	23	38.1mm Hose Clamp (REPLACE IF REMOVED)	B2-06-6000-24-0
2	24	Hose Adapter	B2-02-1300-04-0
2	25	Condensation Pad	B2-02-7100-52-0
1	26	Voice Projection Adapter (Mask Diaphragm Cover)	B2-02-1300-17-0
1	27	Voice Projection Speech Cover	B2-02-4000-00-0
4	28	#4-40 x 5/8" Pan Head Screw, St. Steel	B3-01-1041-04-0
1	29	Voice Projection Module	B1-15-3000-01-0
1	30	Red Cable Tie	B3-04-0300-05-0
2	31	#2-56 x 1/2" Pan Head Screw, St. Steel	B3-01-1021-01-0
Not Shown		Nose Cup	B2-06-6000-63-0
Not Shown		Spectacle Kit, AGA Only	B2-06-6000-64-0

## **PARTS AND ASSEMBLIES BIOPAK 240LW (B7-07-2400-05-0)**

### **Top Assembly (See Diagram 3)**

QTY	ITEM#	DESCRIPTION	PART#
1	1	Upper Housing Assembly (w/SS Turn Latch)	B6-02-5000-38-0
1	1	Upper Housing (w/Rubber Toggle)	B6-02-5000-38-1
1	3 - 7	Breathing Hose Assembly (Lightweight Coolant Canister, includes items 3 thru 7)	B6-02-5000-22-1
1	3	Gasket, Hose Connector	B2-02-7100-01-0
1	4	Connector, Hose	B2-02-1300-01-0
1	5	Nut, Connector	B2-02-1300-00-0
1	6	31.6mm Clamp, Hose	B2-06-6000-07-0
1	7	Hose, Coolant Canister, Breathing (3.25" "Lightweight" style w/spring)	B6-02-5000-22-2
1	8	Label, Warning	B2-02-7000-01-0

### **Lower Housing Assembly (See Diagram 4)**

QTY	ITEM#	DESCRIPTION	PART#
1	1	Oxygen Bottle Assembly, Lightweight	B6-02-5000-93-0
1	2	Coolant Canister Assembly ("Lightweight")	B6-02-5000-67-0

**When upgrading from old Coolant Canisters to "Lightweight" version, the short Coolant Canister Hose must be replaced with the shorter Coolant Canister Hose used with the "Lightweight" Coolant Canister.**

QTY	ITEM#	DESCRIPTION	PART#
1	3	Breathing Chamber (Center Section) Assembly	B6-02-5000-07-0
1	4	Gauge & Hose Assembly BioPak 240 (Standard Luminescent w/Green & Red Zones)	B2-05-1000-03-0
1 (Option)	4	Gauge & Hose Assembly BioPak 240 AUSTRALIAN (International w/markings in PSI & BAR)	B2-05-1000-04-0
1	5	Strap Assembly (Bottle)	B2-02-0000-05-0
1	6	Strap Assembly (Coolant Canister)	B2-02-0000-04-0

### **Lower Housing Hardware (See Diagram 5)**

QTY	ITEM#	DESCRIPTION	PART#
1	1	Lower Housing Sub-Assembly (Shell w/SS Turn Latch)	B6-02-5000-21-0
1	1	Lower Housing Sub-Assembly (Shell w/Rubber Toggles)	B6-02-5000-21-3
1	2	Diaphragm Spring	B2-02-3300-36-0
6	3	Plug, Ventilator Grill Type	B2-06-6000-15-0
1	4	By-pass Valve Assembly	B6-02-5000-56-0
1	5	Yoke Screw ("T" handle type)	B2-06-6000-65-0
1	6	Regulator Assembly (Not Two-Pinned) (complete w/bracket, yoke, yoke screw, regulator and stat-o-seal and fittings).	B6-02-5000-27-0
1	6	<u>Two</u> Pinned Regulator Assembly (complete w/bracket, yoke, yoke screw, regulator and stat-o-seal and fittings).	
1	7	Clamp, Tube Type (Gauge Line)	B2-06-6000-12-0
1	8	Clamp, Alarm Valve Mount Clamo	B2-02-0000-15-0
3	9	Diaphragm Spring Retainer Clamp	B2-02-3300-01-0
4	10	Block, Mounting	B2-02-1300-02-0
1	11	Stat-o-Seal (Washer Seal)	B3-03-0006-01-0

## Lower Housing Hardware Continued (See Diagram 5)

QTY	ITEM#	DESCRIPTION	PART#
	1	12 Carrying Handle	B2-02-0000-02-0
	2	13 Screw, Panhead, #6-32x.5 lg.	B3-01-1061-02-0
	6	14 Retainer Cap	B2-02-4100-22-0
	4	15 Retainer Pin, Long	B2-02-4100-21-0
	2	16 Retainer Pin, Short	B2-02-4100-20-0
	12	17 Washer, Flat #6	B3-03-1063-00-0
	3	18 Screw- Panhead, w/locking insert, #6-32x.44 lg.	B3-01-1061-03-0
	3	19 Screw, Flathead, #4-40x.38 lg.	B3-01-1043-00-0
	3	20 Nut, #4-40	B3-02-0040-00-0
	2	21 Lock Nut, #6-32	B3-02-4060-00-0
	8	22 Screw, Panhead #6-32x.38	B3-01-1061-01-0
	11	23 Washer, Flat #4	B3-03-1043-01-0
1 (Option)		Regulator Dust Cap (Not Shown)	B2-06-6000-60-0
		24 Harness Assembly	B2-02-0000-26-0

## Lower Housing Assembly – Pneumatics (See Diagram 6)

QTY	ITEM#	DESCRIPTION	PART#
	1	1 Male Run Tee	B4-03-5202-01-0
	2	2 Union Tee	B4-03-5202-00-0
	1	3 Tube, Alarm (Low)	B2-02-5000-02-0
	1	4 Tube, Demand	B2-02-5000-05-0
	1	5 Tube, Regulator	B2-02-5000-00-0
	1	6 Tube, Alarm (High)	B2-02-5000-01-0
	1	7 Tube, High Pressure Supply	B2-02-5000-04-0
	1	8 Tube, Gauge Supply	B2-02-5000-03-0
	1	9 Tube, By-pass Braze	B2-02-5000-06-0
	1	10 Tube, By-pass Supply	B2-02-5000-07-0
	1	11 Regulator Assembly Not Two-pinned (complete w/bracket, yoke, yoke screw, regulator & stat-o-seal and fittings).	B6-02-5000-27-0
	1	12 Alarm Valve Assembly, BioPak 240 & 240P	B6-02-5000-35-0
	1	12 Alarm Valve Assembly, BioPak 240PA ONLY	B6-02-5000-40-0
	1	13 Anti-Rotation Collar	B2-02-7100-05-0
	1	14 Flow Restrictor, Gauge Line	B2-02-0000-03-0
	1	15 Gauge & Hose Assembly BioPak 240	B2-05-1000-03-0
	1	15 Gauge & Hose Assembly BioPak 240 AUSTRALIAN	B2-05-1000-04-0
A/R		16 Teflon Tape	B5-07-1000-00-0
	1	17 By-pass Valve Assembly (complete, for parts, See diagram 13)	B6-02-5000-56-0

## Breathing Chamber Assembly (See Diagram 7)

QTY	ITEM#	DESCRIPTION	PART#
	1	1 Scrubber Assembly	B6-02-5000-05-0
	1	2 Center Section (Breathing Chamber-Machined)	B2-02-0000-10-0
	1	3 Diaphragm Assembly (Complete)	B6-02-5000-36-0
	1	4 Clamp, Diaphragm	B2-06-6000-19-0
	1	5 Scrubber Lid Assembly BioPak 240 (Less Label)	B6-02-5000-26-0
	1	6 O-Ring, Scrubber Canister	B4-04-7060-02-0
	1	7 O-Ring, Scrubber Lid	B4-04-7060-03-0
	4	8 Stud	B2-06-6000-02-0
	3	9 Nut, Lock #4-40	B3-02-0040-00-0

## **Breathing Chamber Assembly Continued (See Diagram 7)**

QTY	ITEM#	DESCRIPTION	PART#
1	10	Housing, Demand Valve	B2-02-5100-02-0
1	11	Gasket, Demand Valve	B2-02-7100-03-0
1	12	Tube, Connector	B2-02-3300-04-0
1	13	Seal Valve Core (Demand Valve)	B4-04-0000-00-0
*1	14	*Male Connector Body, (Small) By-pass *Torque 25-30 in lbs.	B2-02-3300-06-0
*1	15	*Male Connector Body, (Large) Demand *Torque 25-30 in lbs.	B2-02-3300-05-0
1	16	Valve Actuator Flap	B2-02-0000-09-0
2	17	Screw, Seal #4-40 x .56	B3-01-0043-01-0
1	18	Screw, Seal #4-40 x .38	B3-01-0043-00-0
2	19	O-Ring, Demand Tube	B4-04-7070-07-0
1	20	Screw Plug	B2-06-6000-08-0
1	21	Gasket	B2-06-6000-09-0
1	22	O-Ring, Flow Restrictor	B4-04-7070-01-0
1	23	Restrictor, Flow	B2-02-0000-07-0
2	24	Washer, Flat #4	B3-03-1043-00-0
1	25	O-Ring, By-pass Tube Connector Body	B4-04-7070-03-0
1	26	O-Ring, Demand Tube Connector Body	B4-04-7060-01-0
1	27	O-Ring, By-pass Tube	B4-04-7070-02-0
1	28	O-Ring, Demand Tube	B4-04-7070-00-0
2	29	Ring, Hose Support (Adhesive Bonder required to attach)	B2-02-4100-10-0
1	30	Label, Logo, BioPak 240	B2-02-7000-00-0
Option	30	Label, Logo, BioPak 240P	B2-02-7000-16-0

## **Carbon Dioxide Absorbent Scrubber Assembly (See Diagram 8)**

QTY	ITEM#	DESCRIPTION	PART#
1	1	Housing Sub-Assembly	B6-02-5000-31-0
REF	2	LimePak Absorbent (11 uses to 44 lb. keg) Incl 11 Turn-Around Tags Turn-Around Maintenance Tags	B6-02-5000-32-0 B5-06-6000-03-0
1	3	Foam, Scrubber	B2-02-7100-10-0
1	4	Cover, Absorbent Canister	B6-02-5000-33-0
1	5	Stud	B2-06-6000-02-0
1	6	Washer, Lock	B3-03-2083-00-0
1	7	Nut, Hex, Plain	B3-02-1080-00-0

## **Coolant Canister Assembly (See Diagram 9)**

QTY	ITEM#	DESCRIPTION	PART#
REF	3 thru 7	Coolant Canister Assembly, Lightweight (Complete)	B6-02-5000-67-0

### **Lightweight Coolant Canister**

**When upgrading from old style Coolant Canisters to the "Lightweight" Coolant Canister, the Coolant Canister Hose must be replaced with the shorter Coolant Canister Hose B6-02-5000-22-1 Diagram number 3.**

1	3	Coolant Canister Housing, Lightweight	B6-02-5000-65-0
1	4	Foam Pad, Coolant Canister	B2-02-7100-15-0
1	5	Coolant Canister Insert, Lightweight ("Gel-Tube")	B6-02-5000-66-0
1	6	O-Ring, Coolant Canister End Cap	B4-04-7060-16-0
1	7	Removable End Cap	B2-02-4100-66-0

## Diaphragm Assembly (See Diagram 10)

QTY	ITEM#	DESCRIPTION	PART#
1	1	Diaphragm Sub-Assembly (w/o Relief Valve Ass'y)	B6-02-5000-41-0
1	2	Cap Assembly	B6-02-5000-34-0
1	3	Body, Valve-Secondary	B2-02-4100-04-0
1	4	Body, Valve-Primary	B2-02-4100-03-0
1	5	Seat, Valve-Secondary	B2-02-4100-06-0
1	6	Seat, Valve-Primary	B2-02-4100-05-0
2	7	O-Ring, 2.193 OD 1.987 ID	B4-04-7060-05-0
1	8	Spring, Compression	B2-06-6000-20-0
1	9	Spring, Red	B2-02-3300-14-0
2	10	O-Ring 1.005 OD .799 ID	B4-04-7060-04-0

## Oxygen Cylinder Assembly (See Diagram 11)

For air shipments, order PART# B6-02-5000-93-1 (Oxygen cylinder will be shipped empty.)

QTY	ITEM#	DESCRIPTION	PART#
REF	1 thru 6	Oxygen Bottle Filled w/O2 Assembly BioPak 240 & 240P (Includes Items 1 thru 6)	B6-02-5000-93-0
1	1	Cylinder	B2-01-2000-04-0
*1	2	*Valve, Cylinder * Installation Torque: 60 ft. Lbs	B4-04-5500-00-0
1	3	Gauge, Pressure	B2-05-1000-00-0
1	4	O-Ring	B4-04-7060-00-0
REF	5	Teflon Tape .25 Wide	B5-07-1000-00-0
1	6	Label, O <sub>2</sub> bottle, BioPak 240 & 240P	B2-02-7000-56-0
	6	Label, O <sub>2</sub> bottle, BioPak 240PA	B2-02-7000-18-0
Not Shown		Gauge Cover	B2-06-6001-38-0

## Breathing Hoses (See Diagram 12)

QTY	ITEM#	DESCRIPTION	PART#
1	1,3,4-6	*Hose, Breathing Inhalation Neoprene (Complete Assembly)	B6-02-5001-06-0
1	1	*Hose, Breathing Inhalation, Neoprene (Hose Only)	B2-02-7000-45-0
1	2	Hose, Breathing, Exhalation, (Hose Only)	B2-02-7000-04-0
		* NOTE: For Lightweight Coolant Canister Assembly ONLY	
1	2 thru 6	Hose, Breathing, Exhalation, (Complete Assembly)	B6-02-5000-24-0
3	3	31.6 mm Clamp, Hose (REPLACE IF REMOVED)	B2-06-6000-07-0
3	4	Nut, Connector	B2-02-1300-00-0
3	5	Connector, Hose	B2-02-1300-01-0
3	6	Gasket, Hose Connector	B2-02-7100-01-0
REF	7	Green Cable Tie (Inhalation Hose)	B3-04-0300-06-0
REF	8	Red Cable Tie (Exhalation Hose)	B3-04-0300-05-0

## By-Pass Valve Assembly (See Diagram 13)

QTY	ITEM#	DESCRIPTION	PART#
1	1	Body, Valve	B2-02-4100-19-0
1	2	Button, Valve	B2-02-0000-12-0
1	3	Guard, Valve	B2-02-4100-18-0
1	4	Spring, Compression	B2-06-6000-13-0
1	5	Seal, Valve Core	B4-04-0000-00-0
2	6	Connector, Male	B4-03-5204-02-0
1	7	O-Ring, Connector	B4-04-7070-03-0
	8	O-Ring, Button	B4-04-7070-07-0

## By-Pass Valve Assembly Continued (See Diagram 13)

QTY	ITEM#	DESCRIPTION	PART#
1	9	Tank Valve	B2-02-5400-01-0
1	10	Elbow, Female	B4-03-5203-00-0
	11	Washer, Phenolic	B3-03-0006-00-0

## Harness Assembly (See Diagram 14)

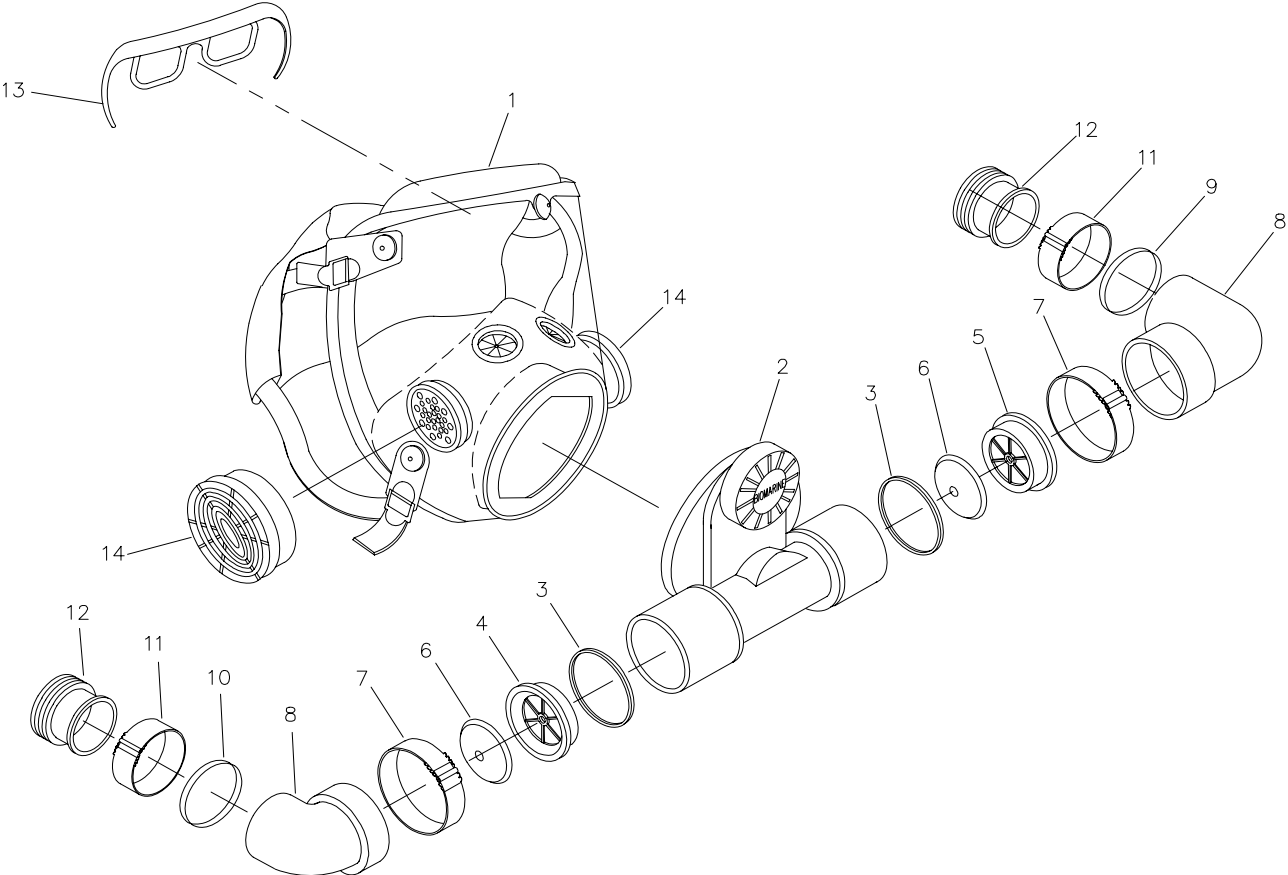
QTY	ITEM#	DESCRIPTION	PART#
Option	1	Harness Assembly, Padded BioPak 240LW (Lightweight" Style)*	B2-02-0000-26-0

\* **When upgrading to the padded harness, 2 additional pins (B2-02-4100-21-0) and 2 additional caps (B2-02-4100-22-0) are required. (See Lower Housing Hardware page 5).**

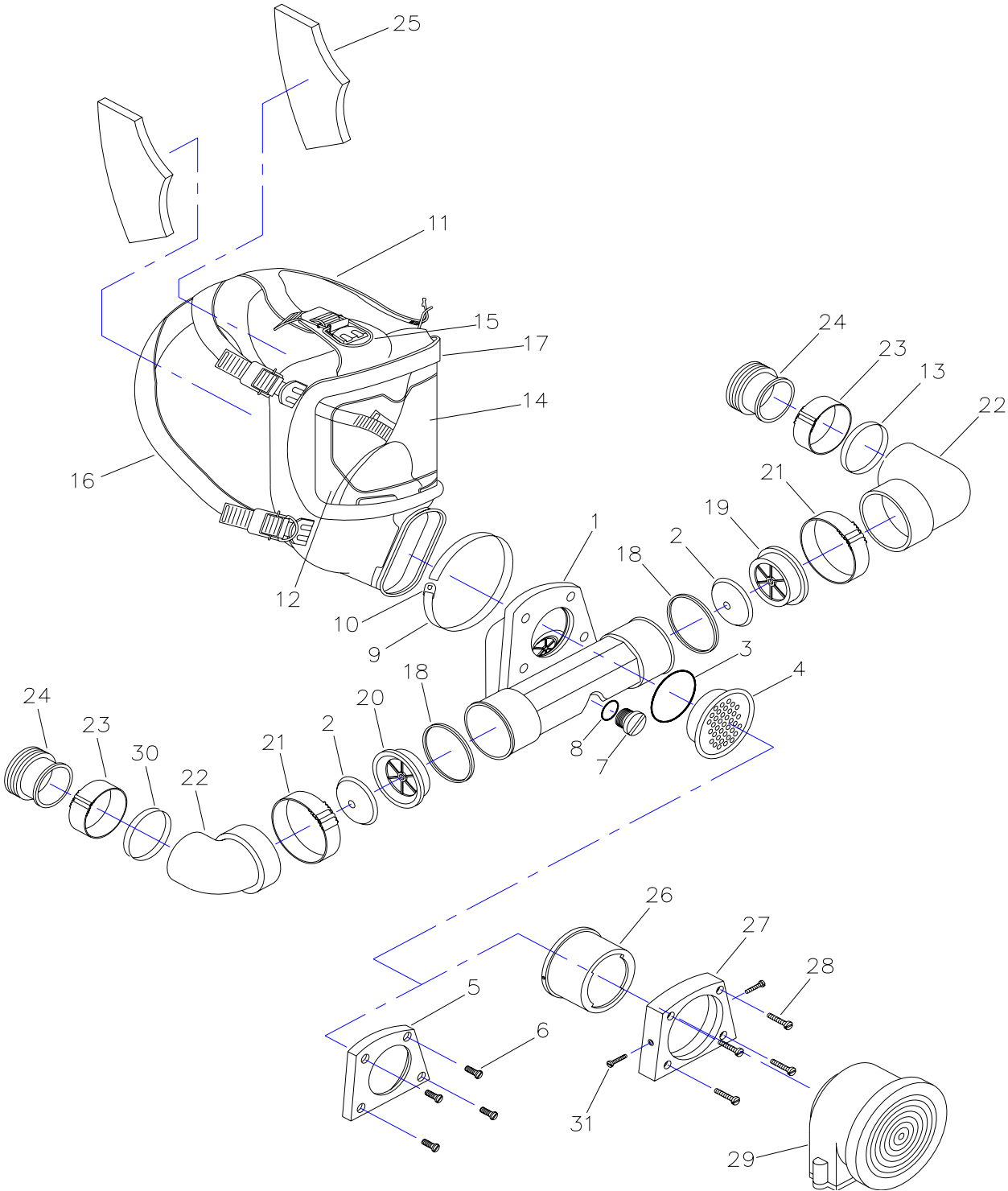
## Accessories & Options (See Diagram 15)

QTY	ITEM#	DESCRIPTION	PART#
1 (Not Shown)		BioPak 240 Case	B2-06-6000-17-0
4 (Not Shown)		Case Caster Wheels for old style BioPak 240 Case (optional)	B2-06-6000-52-0
	1	1 thru 11 BioPak 240 Service Kit	B6-02-5000-37-0
	1	2 BioPak 240 Spare Parts Kit	B6-02-5000-15-0
	1	3 Flowmeter	B6-02-5000-16-0
	1	4 Pressure Test Key	B6-02-5000-17-0
	1	5 Leak Test Fixture (Balloon), BioPak 240 & 60TE	B6-02-5000-29-0
Not Shown		Replacement Balloon for Leak Test Fixture (Latex bag, pressure test)	B2-02-7000-17-0
	1	6 Disinfectant, (75 pieces) <b>(NOTE: 4 packets only included in spares kit for samples)</b>	B6-02-5000-42-0
	1	7 By-pass Valve Tool	B2-03-3000-02-0
	1	8 Cristo-Lube Lubricant Silicone DOW-111 (Not Shown)	B5-01-3000-01-0 B5-01-3000-11-0
	1	9 Leak-Tek (8 oz.)	B5-01-3000-03-0
	1	Leak-Tek (1 gallon) (Not Shown)	B5-01-3000-06-0
	1	10 Valve Core Tool (Screwdriver Type)	B2-03-3000-03-0
	1	11 Vent Valve Tool	B2-03-3000-01-0
	1	12 Anti-Fogging Agent	B6-02-5000-08-0
(Option)		Transfill Valve (CGA540 female to CGA870 for fill from cylinder)	B6-02-5000-43-0
(Option)		Transfill Valve (CGA540 female to CGA870)	B6-02-5001-00-0
(Option)		Masterline Transfil Valve	B6-02-5001-61-0
(Option)		Hose Adapter	B2-02-1300-11-0
Not Shown		Finger Cot	B5-07-3007-00-0
(Option)		Hepa Filter Test Kit	B6-02-5000-83-0

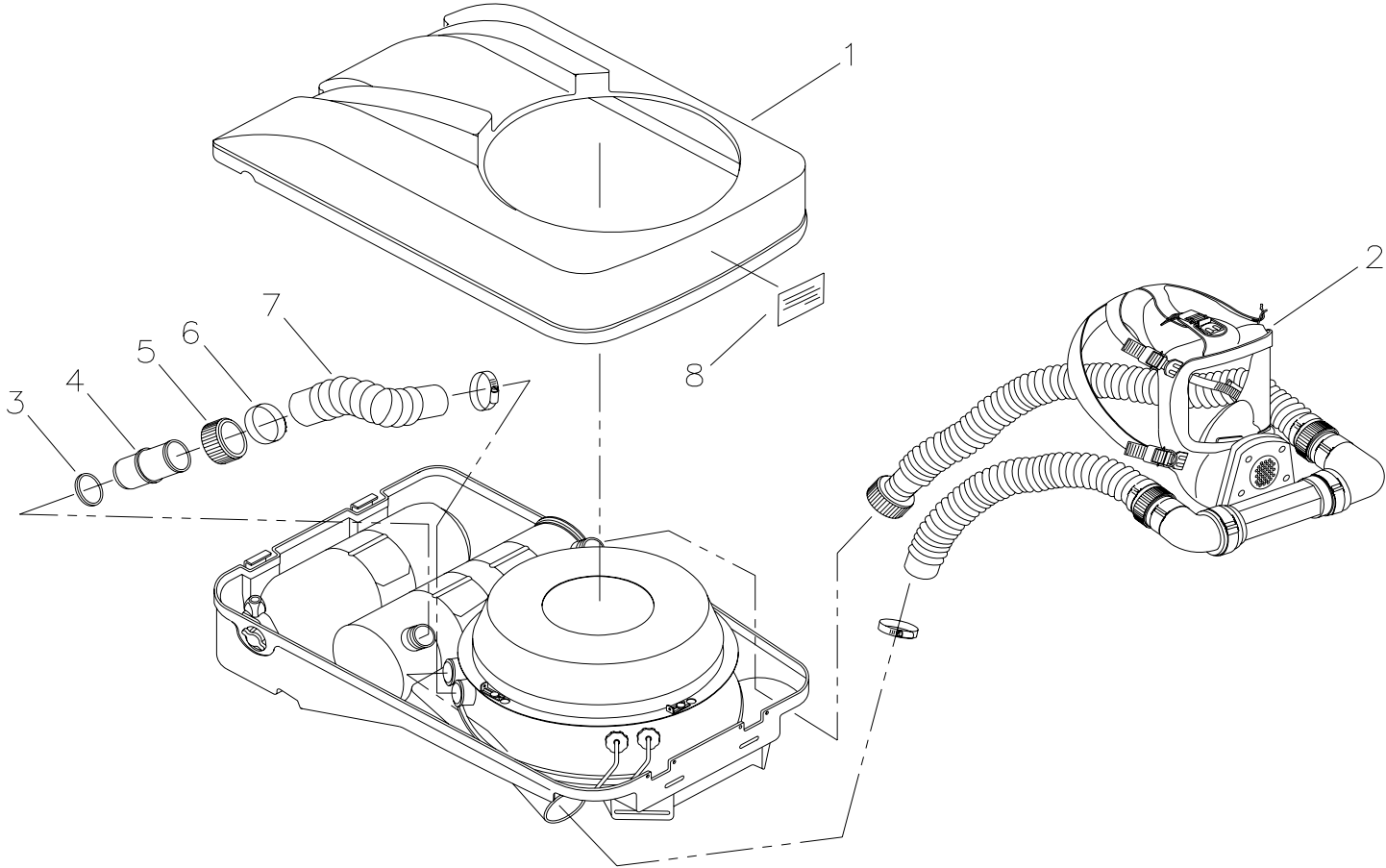
**Scott Facemask Assembly (Diagram 1)**



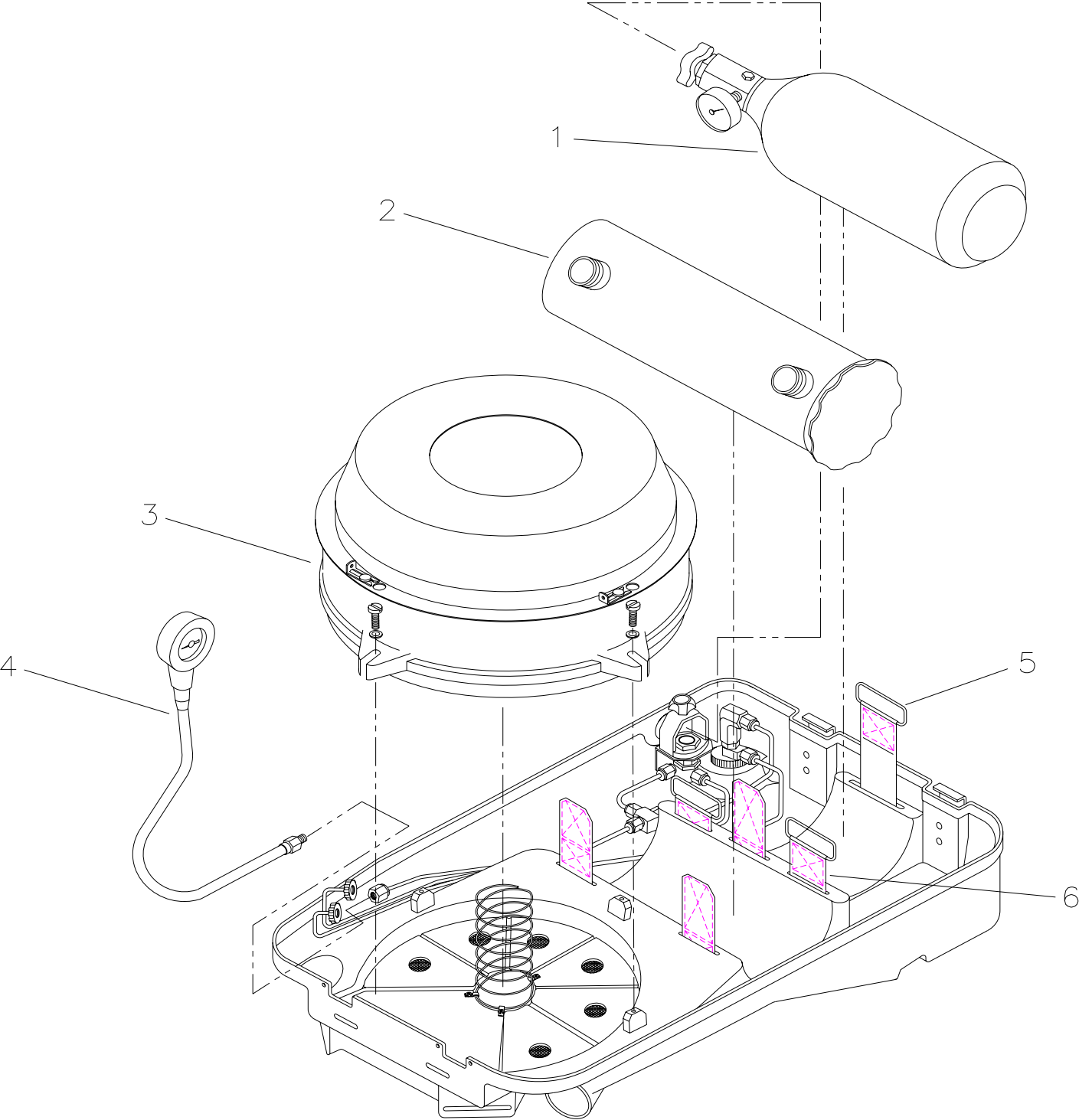
**Interspiro/AGA Facemask Assembly (Diagram 2)**



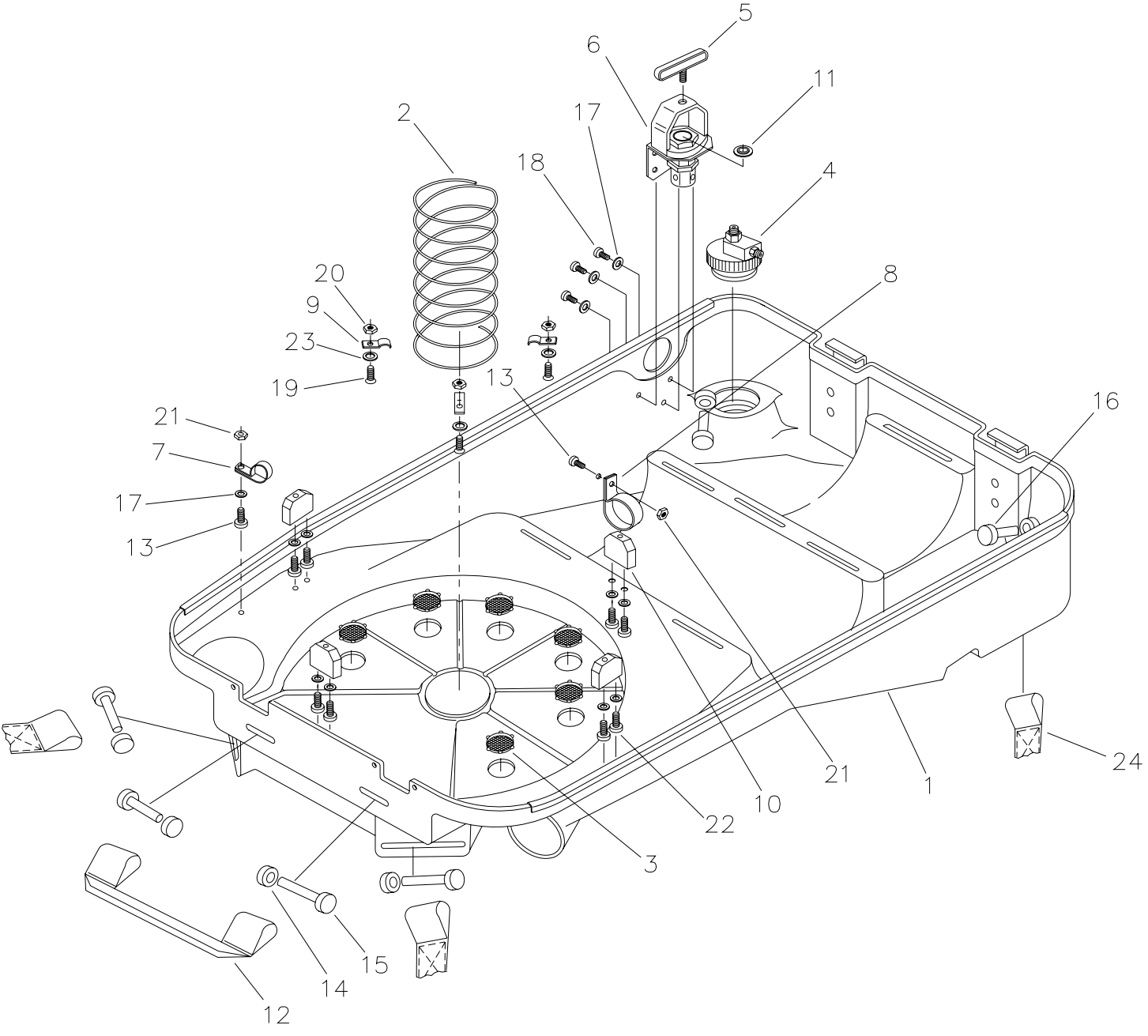
**Top Assembly (Diagram 3)**



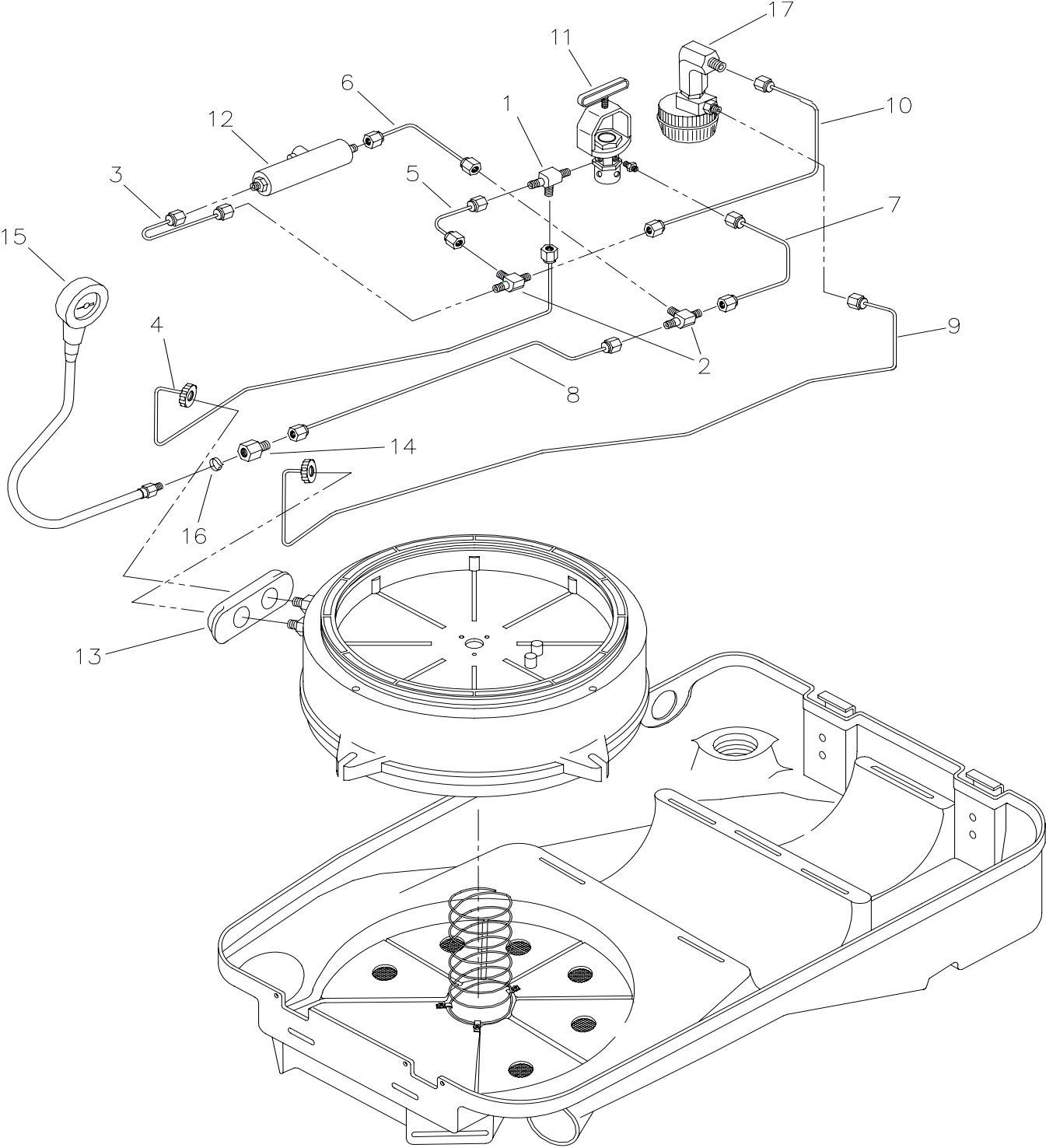
**Lower Housing Assembly (Diagram 4)**



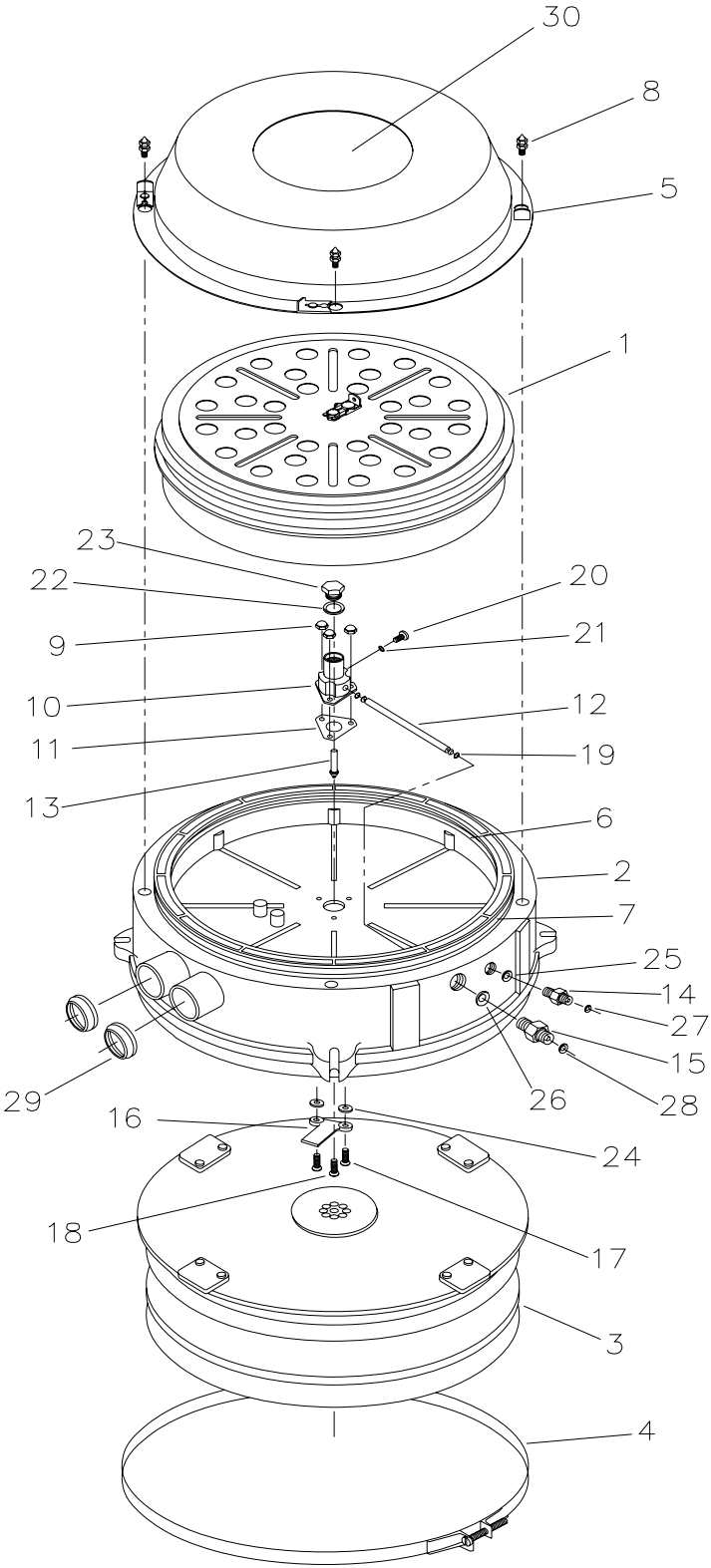
**Lower Housing Hardware (Diagram 5)**



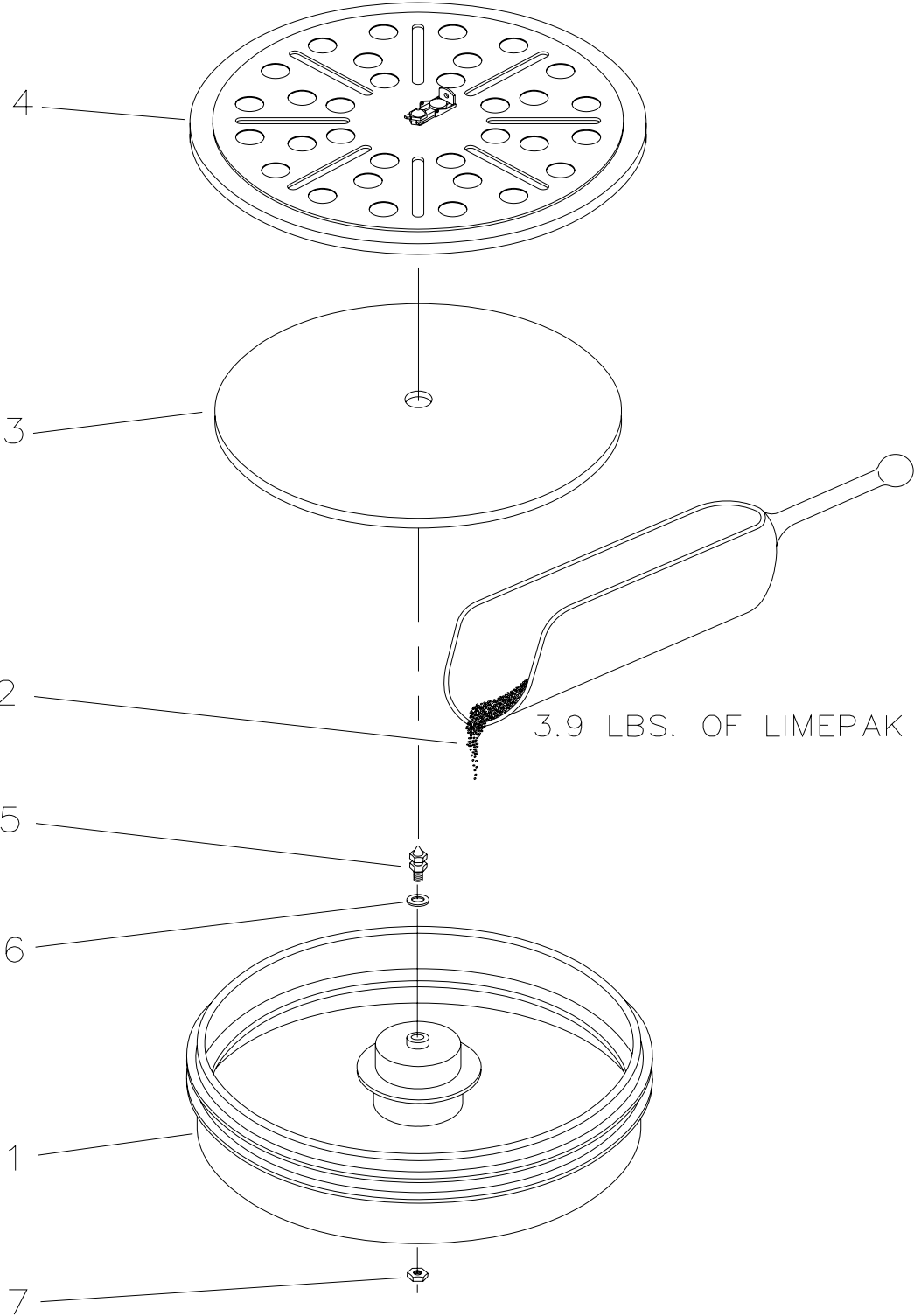
**Lower Housing Assembly – Pneumatics (Diagram 6)**



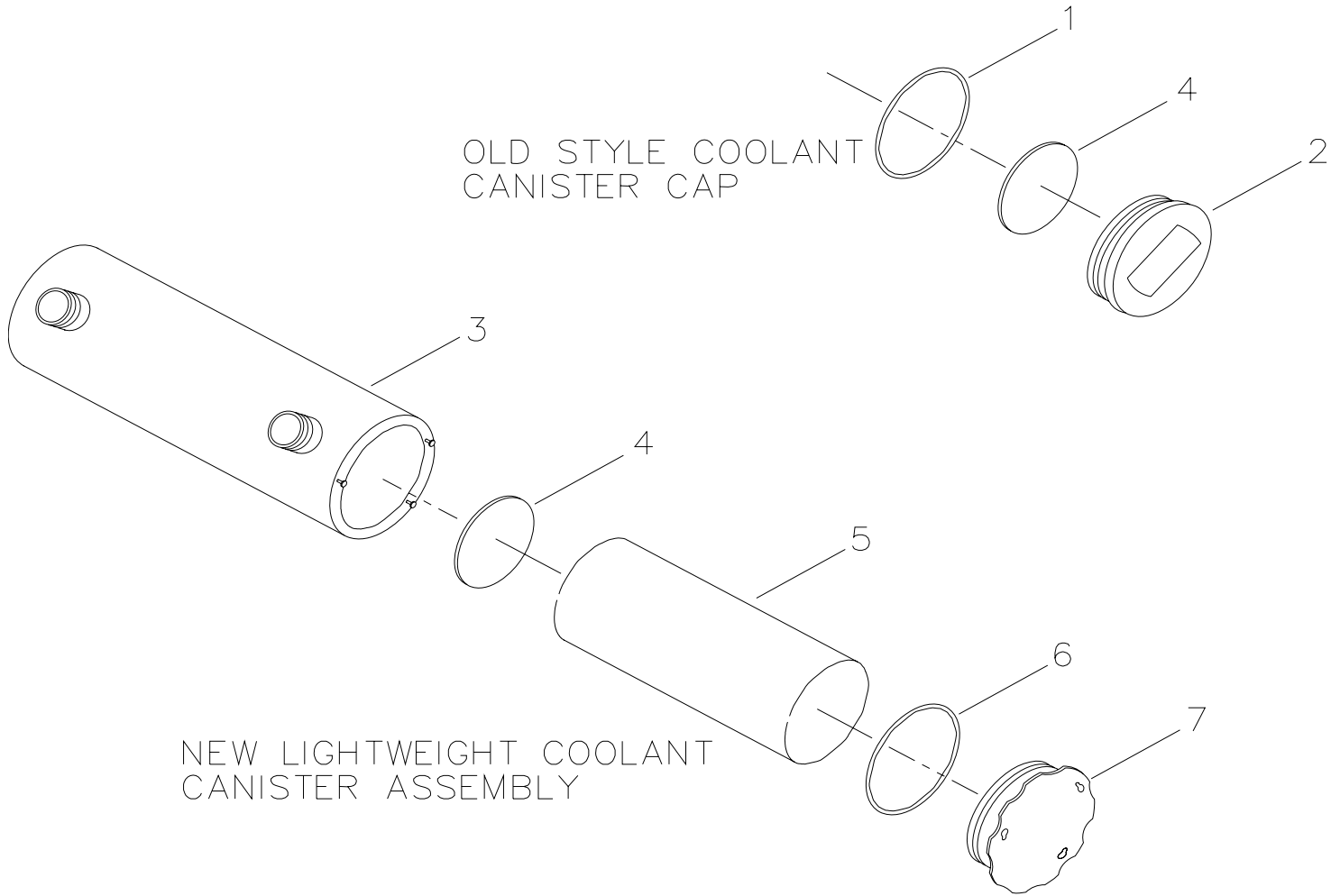
**Breathing Chamber Assembly Continued (Diagram 7)**



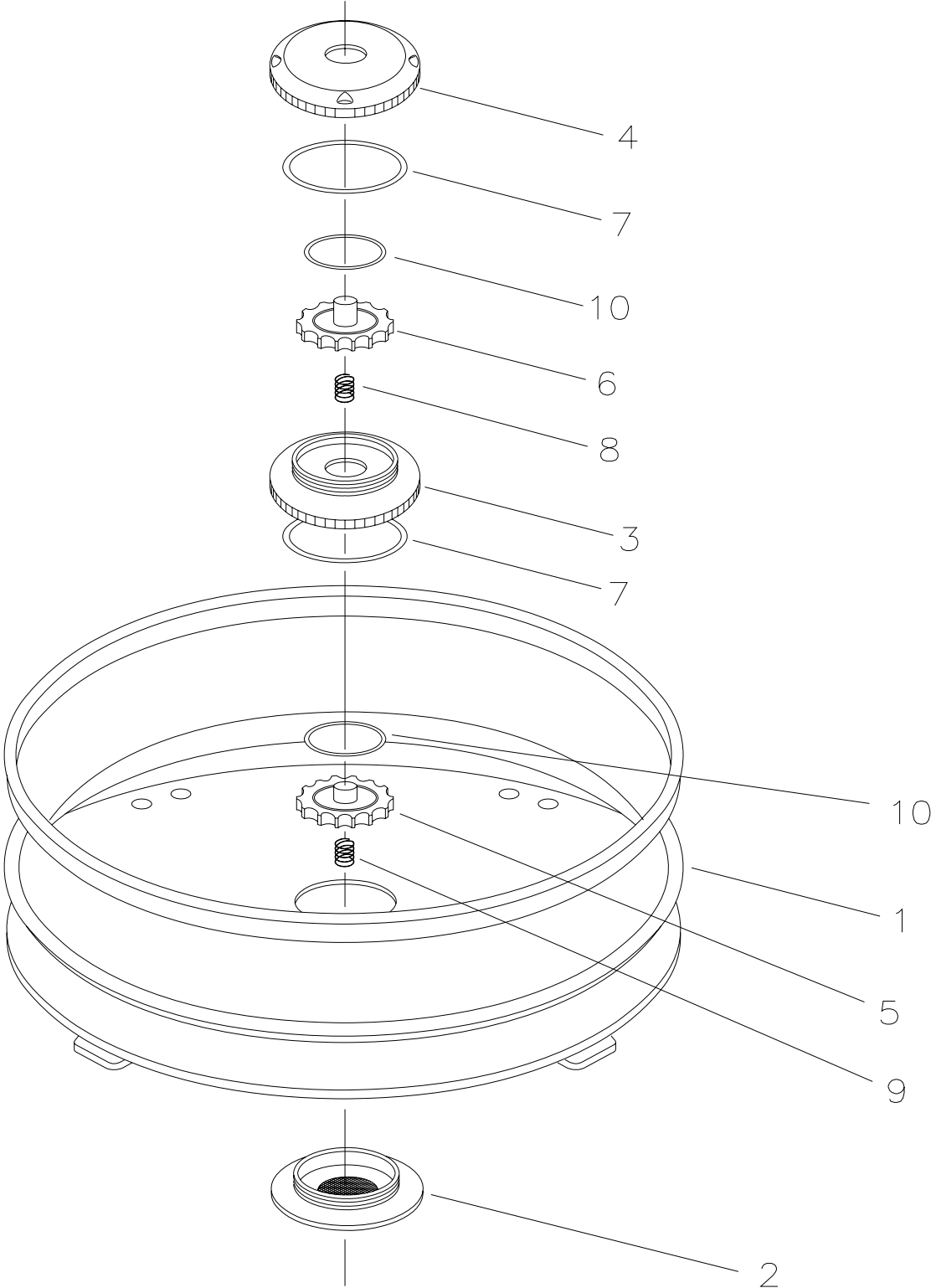
**Carbon Dioxide Absorbent Scrubber Assembly (Diagram 8)**



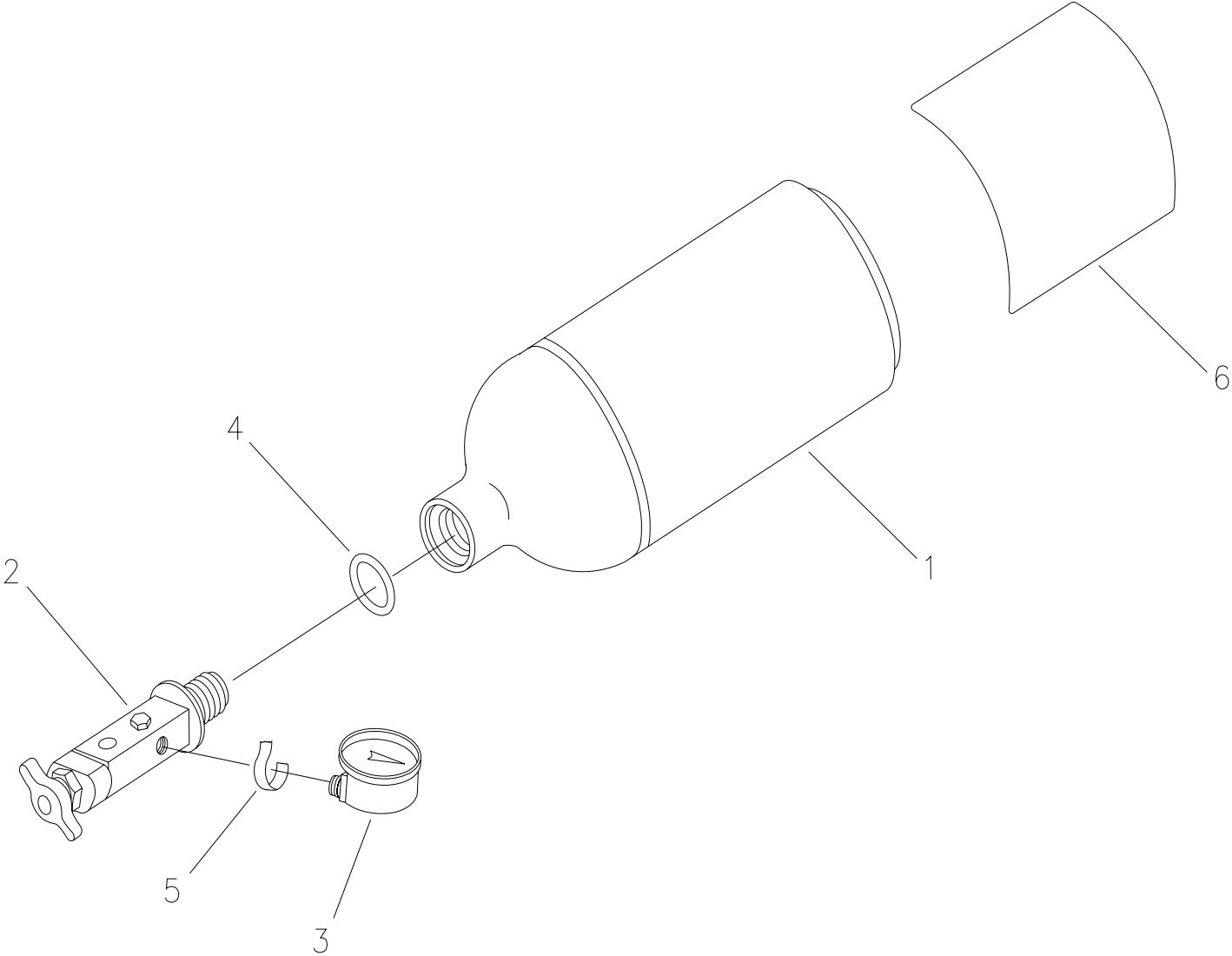
**Coolant Canister Assembly (Diagram 9)**



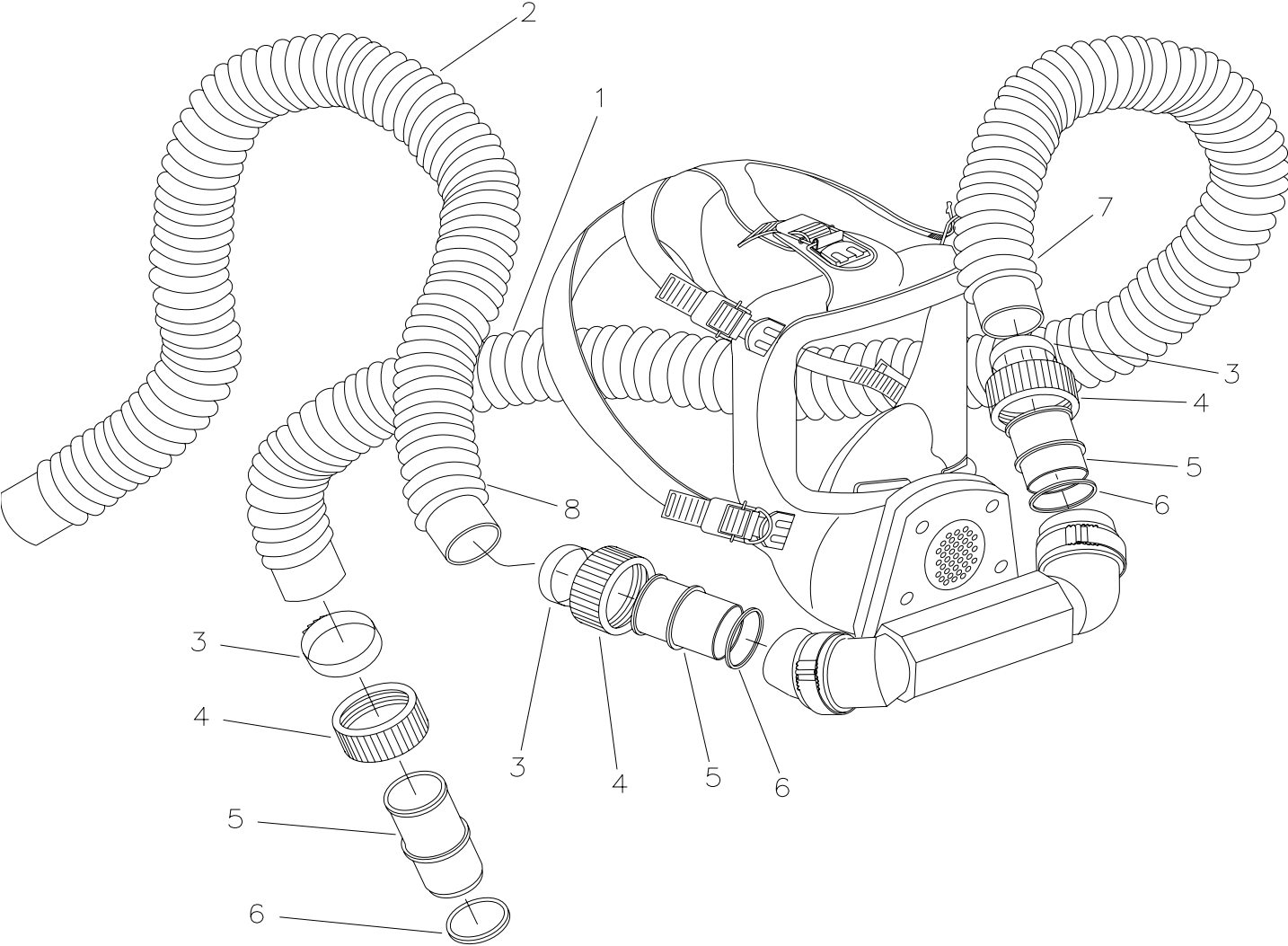
**Diaphragm Assembly (Diagram 10)**



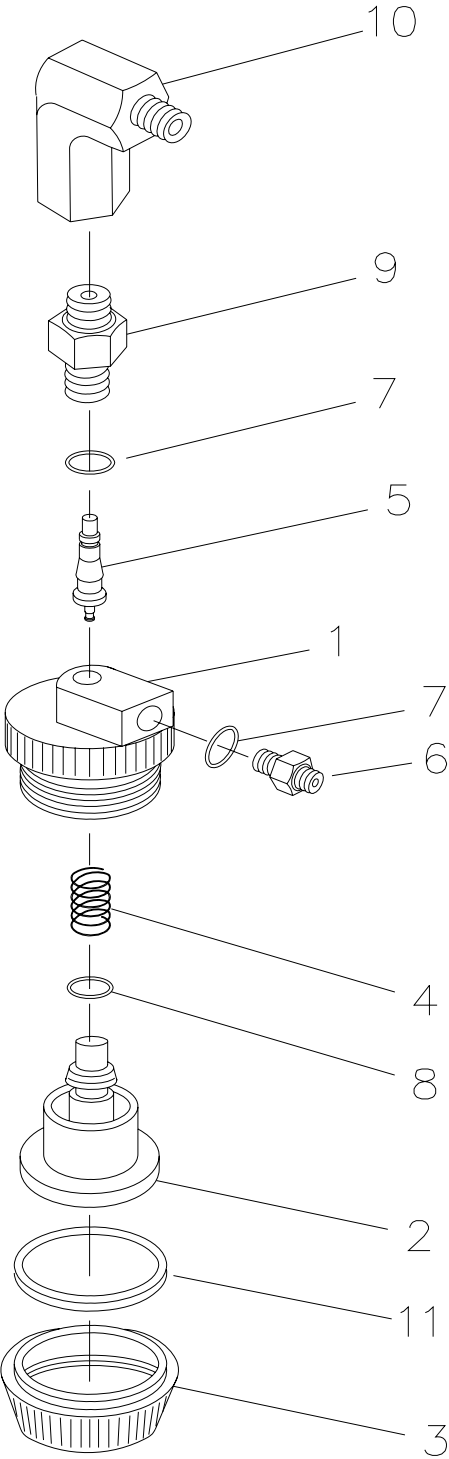
**Oxygen Cylinder Assembly (Diagram 11)**



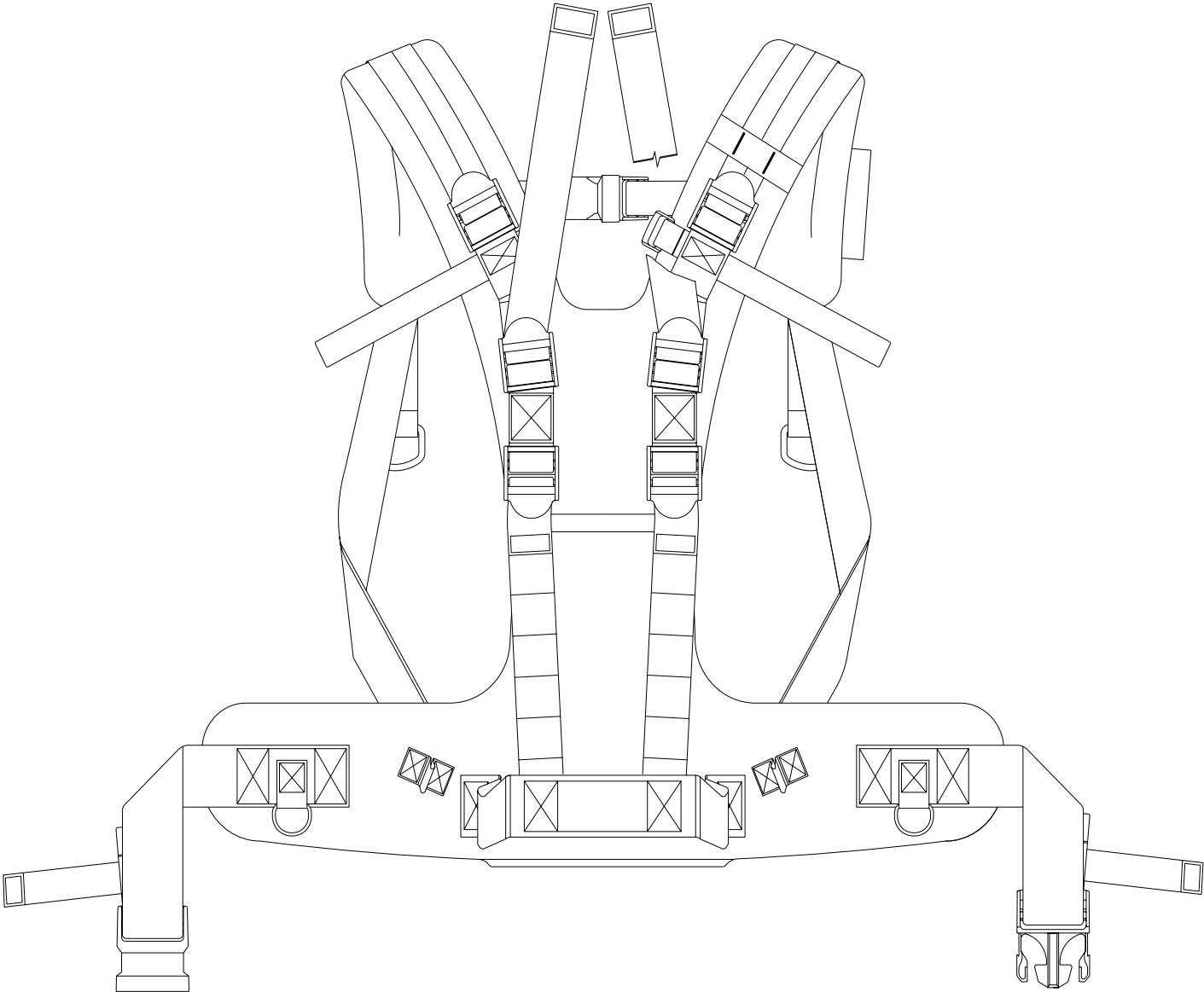
**Breathing Hoses (Diagram 12)**



**By-Pass Valve Assembly (Diagram 13)**



**Harness Assembly (Diagram 14)**



# Accessories & Options (Diagram 15)

