
BIOMARINE

BioPak 240 S

Price List with Illustrated Parts & Assemblies

Ntron

Mullaghboy Industrial Park

Navan, Co Meath, Ireland

Phone: (00353) 469071333

Fax: (00353) 469071331

[Web: www.Ntron.com](http://www.Ntron.com)

Email: info@Ntron.com

BioPak 240S Assemblies & Parts Lists

BioPak 240 S PN # B7-07-2400-18-0

DESCRIPTION

BioPak 240S Complete w/Case, w/o Facemask

Above includes ox (includes Double-Pin Yoke Assembly; **WITH ANTI-ANOXIA VALVE**)

PART#

B7-07-2400-18-0

BioPak 240 S PN # B7-07-2400-19-0

DESCRIPTION

BioPak 240S Complete w/Case, w/o Facemask

Above includes ox (includes Double-Pin Yoke Assembly; **WITHOUT ANTI-ANOXIA VALVE**)

PART#

B7-07-2400-19-0

Scott Facemask Assembly (See Diagram 1S)

WHEN PURCHASING BIOPAK 240 S MODEL ORDER FACEMASK SEPARATELY. SELECT FROM EITHER SCOTT OR INTERSPIRO LISTED BELOW.

QTY	ITEM#	DESCRIPTION	PART #
USE THE SCOTT MASK DISCOUNTED PRICES BELOW WHEN ORDERING BIOPAK			
OPT	1	Comfort Seal, Scott Facemask, Small (When purchased w/BioPak)	B6-02-5001-45-0
OPT	1	Comfort Seal, Scott Facemask, Large (When purchased w/BioPak)	B6-02-5001-45-1
	1	Comfort Seal, Scott Facemask, XL (When purchased w/BioPak)	B6-02-5001-45-2
SCOTT MASK WITH WIPER INSTALLED DISCOUNTED WHEN ORDERED W/BIOPAK			
OPT	1	Scott Facemask, Small (When purchased w/BioPak)	B6-02-5001-45-3
OPT	1	Comfort Seal, Scott Facemask, Large (When purchased w/BioPak)	B6-02-5001-45-4
	1	Scott Facemask, XL (When purchased w/BioPak)	B6-02-5001-45-5
USE THE SCOTT MASK REGULAR PRICES BELOW WHEN ORDERING MASK ONLY			
OPT	1	Comfort Seal, Scott Facemask, Small (When purchased ALONE)	B6-02-5001-45-0
OPT	1	Comfort Seal, Scott Facemask, Large (When purchased ALONE)	B6-02-5001-45-1
	1	Comfort Seal, Scott Facemask, X-Large (When purchased ALONE)	B6-02-5001-45-2
SCOTT MASK WITH WIPER INSTALLED WHEN ORDERING MASK ONLY			
OPT	1	Scott Facemask, Small (When purchased w/BioPak)	B6-02-5001-45-3
OPT	1	Comfort Seal, Scott Facemask, Large (When purchased w/BioPak)	B6-02-5001-45-4
	1	Scott Facemask, XL (When purchased w/BioPak)	B6-02-5001-45-5
RAW SCOTT MASK ASSEMBLY (W/O T-BAR) & ACCESSORIES			
OPT	1	Comfort Seal, Scott Facemask, Small w/o T-Bar (When purchased ALONE)	B2-06-6001-11-0
OPT	1	Comfort Seal, Scott Facemask, Large w/o T-Bar (When purchased ALONE)	B2-06-6001-12-0
OPT	1	Comfort Seal, Scott Facemask, XL w/o T-Bar (When purchased ALONE)	B2-06-6001-13-0
	2	Completed T-Bar Mask Connection Assembly (Complete w/all hardware)	B6-02-5001-68-0
	1	3 Check Valve Gasket	B2-02-7100-12-0
	1	4 Exhalation Check Valve Holder	B2-02-4100-16-0
	2	5 Inhalation Check Valve Holder	B2-02-4100-17-0
	2	6 Check Valve	B2-02-7100-06-0
	2	7 48.5mm Hose Clamp	B2-06-6000-25-0
	1	8 Hose Elbow	B2-02-7100-07-0
	1	9 Green Cable Tie	B3-04-0300-06-0
	2	10 Red Cable Tie	B3-04-0300-05-0
	2	11 38.1mm Hose Clamp	B2-06-6000-24-0

Scott Facemask Assembly Continued (See Diagram 1S)

1 Not Shown	12	Hose Adapter	B2-02-1300-04-0
OPT		Anti-Fog Lens Insert	B2-02-0000-30-0
OPT	13	Eye Glass Mounting Kit	B2-06-6001-15-0
	14	Voice Amplifier Module	B2-06-6001-16-0

Interspiro/AGA Facemask Assembly (Diagram 2S)

QTY	ITEM#	DESCRIPTION	PART #
		USE THIS AGA MASK DISCOUNTED PRICE WHEN ORDERING WITH BIOPAK	
OPT		Interspiro AGA Mask One size fits all (When purchased w/BioPak)	B6-02-5000-25-0
		USE THIS AGA MASK REGULAR PRICE WHEN ORDERING MASK ONLY	
OPT		Interspiro AGA Mask WITH Wiper Option Installed (When purchased with BioPak)	B6-02-5000-25-2
OPT		Interspiro AGA Mask One size fits all (When purchased ALONE)	B6-02-5000-25-0
OPT		Interspiro AGA Mask WITH Wiper Option Installed (When purchased ALONE)	B6-02-5000-25-2
QTY	ITEM#	DESCRIPTION	PART #
	1	1 Adapter Sub-Assembly	B6-02-5001-01-0
	2	2 Check Valve	B2-02-7100-06-0
	1	3 O-Ring, Speaking Diaphragm	B4-04-7070-05-0
	2	4 Speaking Diaphragm Assembly	B6-02-5000-80-0
	1	5 Cover, Speaking Diaphragm	B2-02-4100-74-0
	4	6 Screw, Machined Pan Head, #4-40 x 7/16	B3-01-1041-05-0
	1	7 Plug, Adapter	B2-02-4100-31-0
	1	8 O-Ring, Plastic Mask Plug	B4-04-7060-08-0
	1	9 Strap, Ligarex (2 ft. Required per mask)	B2-06-6000-46-0
	1	10 Lock, Ligarex	B2-06-6000-44-0
Not Shown		Tool, Ligarex	B2-03-3000-04-0
	1	11 Mask, (includes lens, frame, straps)	B2-06-6000-45-0
	1	12 Lens	B2-02-4400-00-0
REF		13 Green Cable Tie	B3-04-0300-06-0
	1	14 Anti-Fog Lens Insert	B2-02-0000-30-0
	1	15 Mask Retainer	B2-02-3300-16-0
	1	16 Headstrap (AGA)	B2-06-6000-58-0
	1	17 Lens Frame Assembly w/Screws (AGA)	B2-06-6000-59-0
	2	18 Check Valve Gasket	B2-02-7100-12-0
	1	19 Inhalation Valve Holder	B2-02-4100-17-0
	1	20 Exhalation Valve Holder	B2-02-4100-16-0
	2	21 48.5mm Hose Clamp (REPLACE IF REMOVED)	B2-06-6000-25-0
	2	22 Hose Elbow	B2-02-7100-07-0
	2	23 38.1mm Hose Clamp (REPLACE IF REMOVED)	B2-06-6000-24-0
	2	24 Hose Adapter	B2-02-1300-04-0
	2	25 Condensation Pad	B2-02-7100-52-0
	1	26 Voice Projection Adapter (Mask Diaphragm Cover)	B2-02-1300-17-0
	1	27 Voice Projection Speech Cover	B2-02-4000-00-0
	4	28 #4-40 x 5/8" Pan Head Screw, St. Steel	B3-01-1041-04-0
	1	29 Voice Projection Module	B1-15-3000-01-0
	1	30 Red Cable Tie	B3-04-0300-05-0
	2	31 #2-56 x 1/2" Pan Head Screw, St. Steel	B3-01-1021-01-0
Not Shown		Nose Cup	B2-06-6000-63-0
Not Shown		Spectacle Kit, AGA Only	B2-06-6000-64-0

PARTS AND ASSEMBLIES SPECIFIC TO THE BIOPAK 240S
(B7-07-2400-18-0 (w/anti-anoxia) or B7-07-2400-19-0 (w/o anti-anoxia))

Top Assembly (Diagram 3-S)

ITEM#	QTY	DESCRIPTION	PART #
1	1	Upper Housing Assembly	B6-02-5001-42-0
2	1	Lower Housing Assembly Incl Hardware, Straps & Harness	B6-02-5001-43-0
3	1	Pneumatics Assembly	B6-02-5001-41-0
4	1	Breathing Chamber Assembly	B6-02-5001-40-0
5	1	Chest Mounted Pressure Gauge Assembly	B6-02-5001-46-0
6	1	Coolant Canister Assembly (No Gel Tube)	B6-02-5001-44-0
7	1	Oxygen Cylinder Assembly	B6-02-5000-93-0
8	1	Carbon Dioxide Scrubber Assembly	B6-02-5000-05-0
9	1	Tool Kit Assembly	B6-02-5001-36-0
10	1	Exhalation Breathing Hose Assembly	B6-02-5001-48-0
11	1	Inhalation Breathing Hose Assembly	B6-02-5001-49-0
12	1	Connection Hose Assembly	B2-02-7000-69-0
13	3	Nylon 4" Cable Tie (not depicted)	B3-04-0300-00-1
14	1	Alarm Whistle Mounting Clamp	B2-02-0000-15-0
15	1	Chest Mount Pres Gauge Line Clamp (Cat clamp tube type)	B2-06-6000-12-0
16	4	Breathing Chamber Lock Down Pin	B2-06-6000-74-0
17	4	Breathing Hose Worm Gear Clamp	B2-06-6000-01-0
18	1	Regulator External Support Plate	B2-02-3300-34-0
19	1	Chest Gauge Flow Restrictor Fitting	B2-02-0000-03-0
20	1	Breathing Hose Coupler Fitting	B2-02-1300-11-0
21	2	#6-32 ESNA Hex Nut	B3-02-4060-00-0
22	2	#4-40 x 1/4" Pan Head Screw	B3-01-1041-00-0
23	2	#6-32 x 1/2" Pan Head Screw	B3-01-1061-02-0
24	5	#6-32 x 7/16" Pan Head Screw w/locking insert	B3-01-1061-03-0
25	1	#10-32 x 1/2" Binder Head Screw with Locking Insert	B3-01-1082-01-0
26	ALT	#10-32 x 3/8" Binder Head Screw with Locking Insert	B3-01-1082-00-0
27	2	#4 Flat Washer	B3-03-1042-00-1
28	7	#6 Flat Washer	B3-03-1063-00-0
29	1	By-pass Valve Mounting Washer (Phenolic washer BioPak 240)	B3-03-0006-00-0
30	1	BioPak Storage Case	B2-06-6000-17-0
31	1	BioPak 240S User Instruction Manual	B5-06-6240-00-0
32	1	BioPak 240S Benchman's Training Manual	B5-06-6240-01-0
33	1	Breathing Chamber Cover	B6-02-5001-50-0

Lower Housing Assembly (Diagram 4-S)

ITEM#	QTY	DESCRIPTION	PART #
REF	1	BioPak 240S Lwr Housing Assy Incl Hardware, Straps & Harness	B6-02-5001-43-0
1	2	Coolant Canister Hold Down Strap	B2-02-0000-04-0
2	1	Oxygen Cylinder Hold Down Strap	B2-02-0000-05-0
3	1	Padded Harness	B2-02-0000-26-2
4	3	Diaphragm Spring Retainer Clamp	B2-02-3300-01-0
5	1	Diaphragm Spring	B2-02-3300-37-0
6	2	Short Harness Retaining Pin	B2-02-4100-20-0
7	6	Long Harness Retaining Pin	B2-02-4100-21-0
8	8	Harness Retainer Pin Cap	B2-02-4100-22-0

Lower Housing Assembly Continued (Diagram 4-S)

ITEM#	QTY	DESCRIPTION	PART #
9	4	Breathing Chamber Mounting Block	B2-02-3000-02-0
10	3	#4-40 x 3/8" Flat Head Screw	B3-01-1043-00-0
11	8	#6-32 x 3/8" Pan Head Screw	B3-01-1061-01-0
12	8	#6 Flat Washer	B3-03-1063-00-0
13	3	#4-40 ESNA Hex Nut	B3-02-0040-00-0
14	1	Lower Housing with Hardware & Riveted Parts	B6-02-5001-51-0
15	1	Carrying Handle Strap	B2-02-0000-02-0

Upper Housing Assembly (Diagram 5-S)

ITEM#	QTY	DESCRIPTION	PART#
REF	1	BioPak 240S Upper Housing Assembly	B6-02-5001-42-0
1	1	Warning Label	B2-02-7000-01-0
2	1	USA Label	B2-06-6001-10-0
3	1	Upper Housing with Hook Hinges only	B6-02-5001-52-0
4	4	#6-32 x 3/8" Pan Head Screw	B3-01-1061-01-0
5	2	T-Handle Draw Latch	B2-06-2001-02-1
6	4	#6-32 ESNA Hex Nut	B3-02-4060-00-0

Pneumatic Assembly (Diagram 6-S)

ITEM#	QTY	DESCRIPTION	PART#
REF	1	BioPak 240S Pneumatic Assembly	B6-02-5001-41-0
1	1	Alarm Whistle Assembly	B6-02-5001-53-0
2	1	By-pass Valve Assembly	B6-02-5001-54-0
3	1	Oxygen Cylinder Pressure Regulator with Fittings	B6-02-5001-60-0
4	1	Oxygen Cylinder Yoke with Handle	B2-02-6400-01-2
5	1	Oxygen Cylinder Regulator Jam Nut	B2-02-5400-03-0
6	1	Oxygen Regulator Mounting Bracket	B2-02-3300-35-0
7	1	Manifold Block	B2-02-1100-03-0
8	2	#6-32 x 3/16" Hexagon Set Screw	B3-01-1065-00-0
9	1	#10-32 Manifold Block Screw Plug	B2-06-6000-08-0
10	2	#10-32 x 1/8" Male Compression Fitting	B4-03-5204-04-0
11	1	#10-32 x 1/8" Male Compression Fitting	B4-03-5204-04-0
12	2	1/8 NPT x 3/16" Male Connector Fitting-Compression	B4-03-5204-03-0
13	1	Manifold Black Plug Gasket	B2-06-6000-09-0
14	1	Oxygen Cylinder Sealing Washer (Stat-o-Seal)	B3-03-0006-01-0
15	1	High Pressure Tube Assembly	B2-02-5000-24-1
16	AR	1/8" Outside Diameter Nylon Tubing	B4-02-1012-01-1
17	AR	5/32" Outside Diameter Nylon Tubing	B4-02-1015-00-1
18	1	#10-32 x 1/8" Male Compression Fitting	B4-03-5204-04-0
19	1	#10-32 x 1/8" Male Connector Fitting-Compression	B4-03-5204-04-0
20	AR	1/8" Outside Diameter Copper Tubing Raw	B4-02-4012-00-0
21	AR	3/16" Outside Diameter Copper Tubing Raw	B4-02-4018-00-0
22	2	Quick Connect Plug Fitting	B2-02-5100-07-0

By-pass Valve Assembly (Diagram 7-S)

ITEM#	QTY	DESCRIPTION	PART#
REF	1	By-pass Valve Assembly	B6-02-5001-54-0
1	1	Push Button	B2-02-0000-12-0

By-pass Valve Assembly Continued (Diagram 7-S)

ITEM#	QTY	DESCRIPTION	PART#
2	1	Valve Guard	B2-02-4100-18-0
3	1	Valve Body	B2-02-4100-19-0
4	1	Valve Spring	B2-06-6000-13-0
5	1	5/16-24 x #10-32 Bushing	B2-02-5100-04-0
6	1	1/8 NPT x 1/8" Female Elbow Fitting	B4-03-4603-00-0
7	1	Valve Holder	B2-02-5400-01-0
8	1	Valve Core	B4-04-0000-00-0
9	2	O-Ring Seal, .367 OD x .239 ID	B4-04-7070-03-0
10	1	O-Ring Seal, .245 OD x .114 ID	B4-04-7070-07-0
11	1	#10-32 x 1/8" Male Swivel Elbow Fitting	B4-03-4603-01-0
12	1	By-pass Valve Mounting Washer	B3-03-0006-00-0

Breathing Chamber Assembly (Diagram 8-S)

ITEM#	QTY	DESCRIPTION	PART#
REF	1	Breathing Chamber Assembly with Anti-Anoxia	B6-02-5001-40-0
REF	1	Breathing Chamber Assembly without Anti-Anoxia	B6-02-5001-40-1
1	1	Restrictor, Flow	B2-02-0000-07-0
2	1	Add Valve Lever	B2-02-0000-09-0
3	1	Center Section Housing	B2-02-0000-10-2
4	1	Supply Connector Tube	B2-02-3300-04-0
5	1	Anti-Anoxia Valve Assembly	B6-02-5000-49-1
6	1	7/16-20 x 5/32" Tube Bushing Fitting	B2-02-5000-25-0
7	1	5/16-24 x 1/8" Tube Bushing Fitting	B2-02-5000-26-0
8	1	Demand Housing	B2-02-5100-02-0
9	1	Demand Housing Gasket	B2-02-7100-03-0
10	1	Diaphragm Assembly	B6-02-5001-55-0
11	4	Latch Stud	B2-06-6000-02-0
12	2	#10 Fitting Sealing Gasket	B2-06-6000-09-0
13	1	Diaphragm Worm Gear Clamp	B2-06-6000-19-0
14	1	#4-40 X 3/8" Flat Head Screw with O-Ring	B3-01-0043-00-0
15	2	#4-40 x 9/16" Flat Head Screw with O-Ring	B3-01-0043-01-0
16	2	#6-32 x 5/8" Pan Head Screw	B3-01-1061-04-0
17	3	#4-40 ESNA Hex Nut	B3-02-0040-00-0
18	2	#6-32 ESNA Hex Nut	B3-02-4060-00-0
19	2	#4 Flat Washer	B3-03-1043-00-0
20	2	#6 Flat Washer	B3-03-1063-00-0
21	AR	1/8" Outside Diameter Copper Tubing	B4-02-4012-00-0
22	1	#10-32 x 1/8" Male Connector Fitting	B4-03-5204-04-0
23	1	Demand Housing Valve Core	B4-04-0000-00-0
24	1	O-Ring Seal, .505 OD X .299 ID	B4-04-7060-01-1
25	1	O-Ring Seal, 10.145 OD x 9.725 ID	B4-04-7060-02-0
26	1	O-Ring Seal, 10.895 OD x 10.475 ID	B4-04-7060-03-1
27	1	O-Ring Seal, .423 OD x .351 ID	B4-04-7070-01-0
28	1	O-Ring Seal, .367 OD x .239 ID	B4-04-7070-03-1
29	2	O-Ring Seal, .245 OD x .114 ID	B4-04-7070-07-1
30	2	Quick Connect Coupler Fitting	B4-03-5004-04-0

Diaphragm Assembly (Diagram 9-S)

ITEM#	QTY	DESCRIPTION	PART#
REF	1	BioPak 240S Diaphragm Assembly	B6-02-5001-55-0
1	1	Diaphragm with Hardware	B6-02-5001-56-0
2	1	Vent Valve Cap with Screen	B6-02-5001-57-0
3	1	Vent Valve Primary Body	B2-02-4100-03-0
4	1	Vent Valve Secondary Body	B2-02-4100-04-0
5	1	Vent Valve Primary Seat	B2-02-4100-05-0
6	1	Vent Valve Secondary Seat	B2-02-4100-06-0
7	1	Vent Valve Spring	B2-06-6000-20-0
8	2	O-Ring Seal, 2.193 OD x 1.987 ID	B4-04-7060-05-1
9	2	O-Ring Seal, 1.005 OD x .799 ID	B4-04-7060-04-1
10	1	Spring, Red	B2-02-3300-14-0

Carbon Dioxide Scrubber Assembly (Diagram 10-S)

ITEM#	QTY	DESCRIPTION	PART#
REF	1	Carbon Dioxide Scrubber Assembly	B6-02-5000-05-0
1	1	Scrubber Housing	B6-02-5000-31-0
2	AR	Absorbent Agent Keg* CO2 absorbent 10-11 uses per keg	B6-02-5000-32-0
3	1	Foam Pad	B2-02-7100-10-0
4	1	Cover	B6-02-5000-33-0
5	1	Latch Stud	B2-06-6000-02-0
6	1	#10 Flat Washer	B3-03-2083-00-0
7	1	#10-32 Hex Nut	B3-02-1080-00-0
8	1	Turn-Around Maintenance Tag Each	B5-06-6000-03-0

Breathing Hose Assemblies (Diagram 11-S)

ITEM#	QTY	DESCRIPTION	PART#
REF	1	Connection Hose	B2-02-7000-69-0
REF	1	Inhalation Hose Assembly	B6-02-5001-49-0
1	1	Hose Connector Gasket	B2-02-7100-01-0
2	1	Hose Connector Body	B2-02-1300-01-0
3	1	Hose Connector Nut	B2-02-1300-00-0
4	1	31.6mm Hose Clamp	B2-06-6000-07-0
5	1	Breathing Hose	B2-02-7000-74-0
6	1	Nylon 8" Green Cable Tie	B3-04-0300-06-0
7	1	Hose Connection Cuff	B2-02-7000-77-0
REF	1	Exhalation Hose Assembly	B6-02-5001-48-0

Coolant Canister Assembly (Diagram 12-S)

ITEM#	QTY	DESCRIPTION	PART#
REF	1	Coolant Canister Assembly (W/o Gel Tube)	B6-02-5001-44-0
REF	1	Coolant Canister Gel Tube	B6-02-5000-66-0
1	1	Canister End Cap	B2-02-4100-66-0
2	1	Canister Body	B6-02-5001-58-0
3	1	Identification Label	B2-02-7000-73-0
4	1	Foam Moisture Absorbent Pad	B2-02-7100-15-0
5	1	O-Ring Seal, 3.693 OD x 3.487 ID	B4-04-7060-09-0

Oxygen Cylinder Assembly (Diagram 13-S)

(Note: PART# B6-02-5000-93-0 is a BioPak 240 S oxygen cylinder filled with oxygen. For air shipments, order part # B6-02-5000-93-1 (Oxygen cylinder will be shipped empty.)

ITEM#	QTY	DESCRIPTION	PART#
REF	1 thru 6	Oxygen Bottle Assembly BioPak 240 & 240P (Includes Items 1 thru 6)	B6-02-5000-93-0
1	1	Valve, Cylinder Installation Torque: 60 ft. Lbs.	B4-04-5500-00-0
1	2	Gauge, Pressure	B2-05-1000-00-0
1	3	O-Ring	B4-04-7060-00-0
REF		Teflon Tape .25 Wide	B5-07-1000-00-0
1	4	Label, O ₂ bottle, BioPak 240	B2-02-7000-56-0
1	5	Cylinder	B2-01-2000-04-0
1	6	Extended Handle	B2-02-4000-04-0

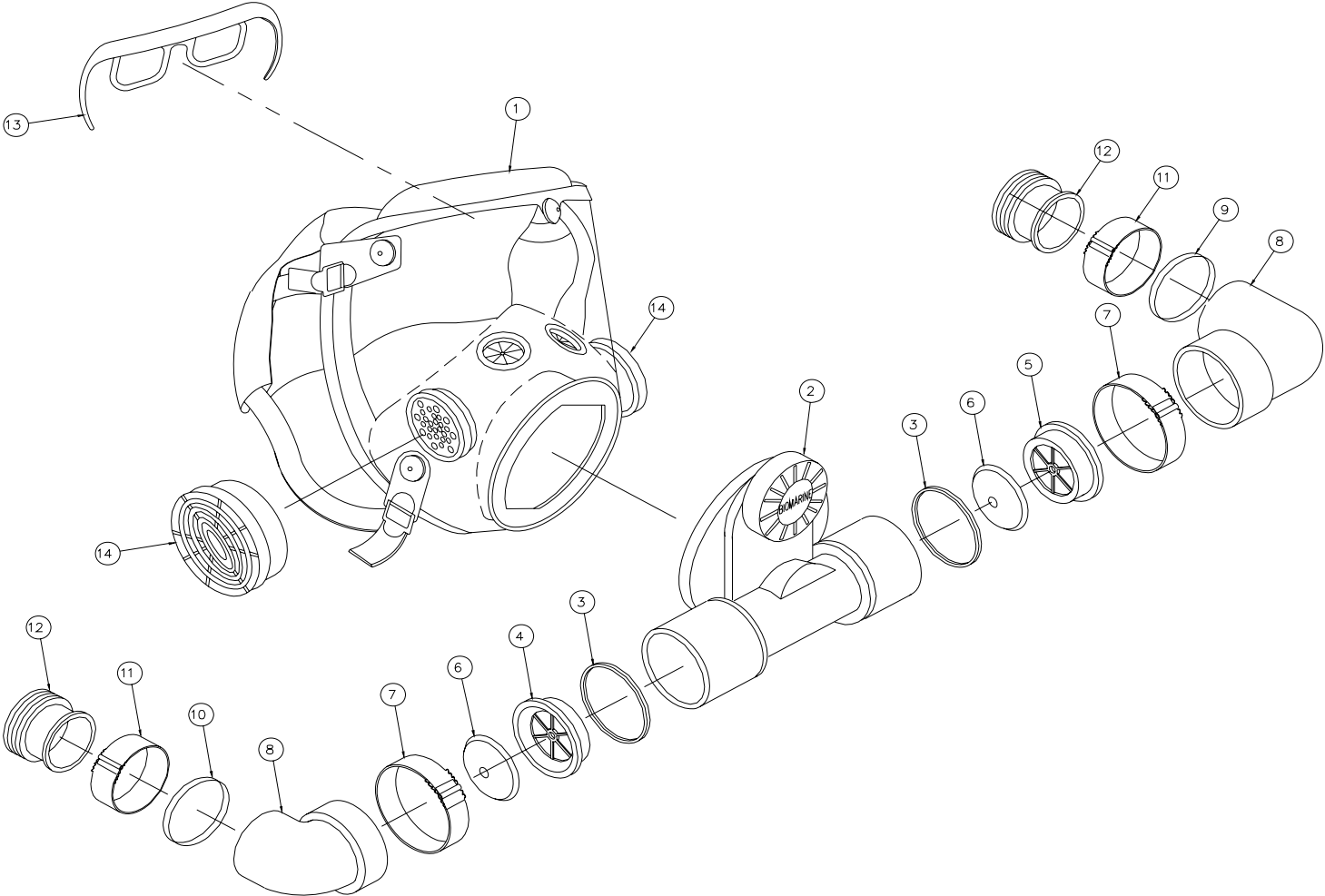
Tool Kit Assembly (Diagram 14-S)

ITEM#	QTY	DESCRIPTION	PART#
REF		BioPak 240S Tool Kit Assembly- Full Kit	B6-02-5001-36-0
1	1	Tool Kit Pouch	B2-02-7000-71-0
2	1	Tool Kit Identification Card	B2-02-7000-72-0
3	1	3/16" Slotted Screwdriver	B2-03-1000-01-0
4	1	#1 Phillips Drive Screwdriver	B2-03-1000-03-0
5	1	3/8" x 5/16" Open End Wrench	B2-03-1000-04-0
6	1	5/8" x 9/16" Open End Wrench	B2-03-1000-05-0
7	2	7/16" Combination Wrench	B2-03-1000-06-0
8	1	1/2" Combination Wrench	B2-03-1000-13-0
9	1	1/16" Allen key Wrench	B2-03-1000-08-0
10	1	3/16" Nutdriver	B2-03-1000-09-0
11	1	Combination Pick Tool	B2-03-1000-10-0
12	1	Hose Clamp Ratchet Pincer Tool	B2-03-1000-11-0
13	1	Vent Valve Wrench	B2-03-3000-01-0
14	1	By-pass Valve Wrench	B2-03-3000-02-0
15	1	Valve Core Tool	B2-03-3000-03-0
16	1	5/16" Nutdriver	B2-03-1000-12-0
17	1	Needle Nose Pliers	B2-03-1000-14-0
18	1	Flow Test Flowmeter	B6-02-5000-16-0
19	1	Balloon Leak Test Fixture/Test Key	B6-02-5000-29-1
20	2	6" Tongue Depressor EACH	B5-07-1000-15-0
21	12	Small Finger Cot EACH	B5-07-3007-00-0
22	1	Finger Cot Zip-Lock Storage Bag	B3-06-5000-01-0

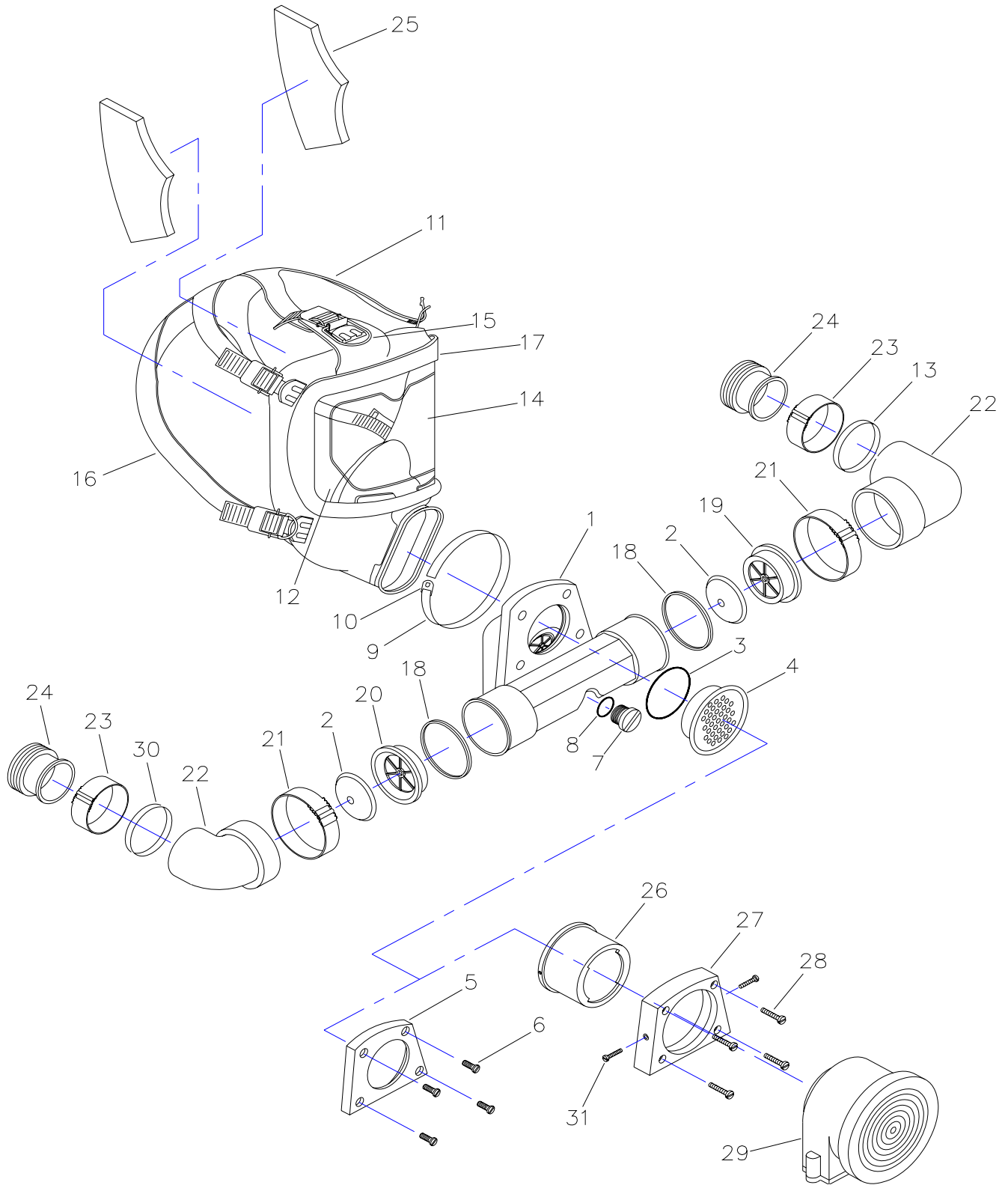
Miscellaneous Supplies

DESCRIPTION	PART#
Replacement Balloon for Leak Test Fixture (w/o hardware)	B2-02-7000-17-0
Portion Pak Disinfectant (75 packets)	B6-02-5000-42-0
Cristo-Lube O-Ring Lubricant	B5-01-3000-01-0
Dow-111 O-Ring Lubricant	B5-01-3000-11-0
Leak-Tec Leak Detection Fluid (8oz.)	B5-01-3000-03-0
Lens Anti-Fog Agent Cloth	B6-02-5000-08-0

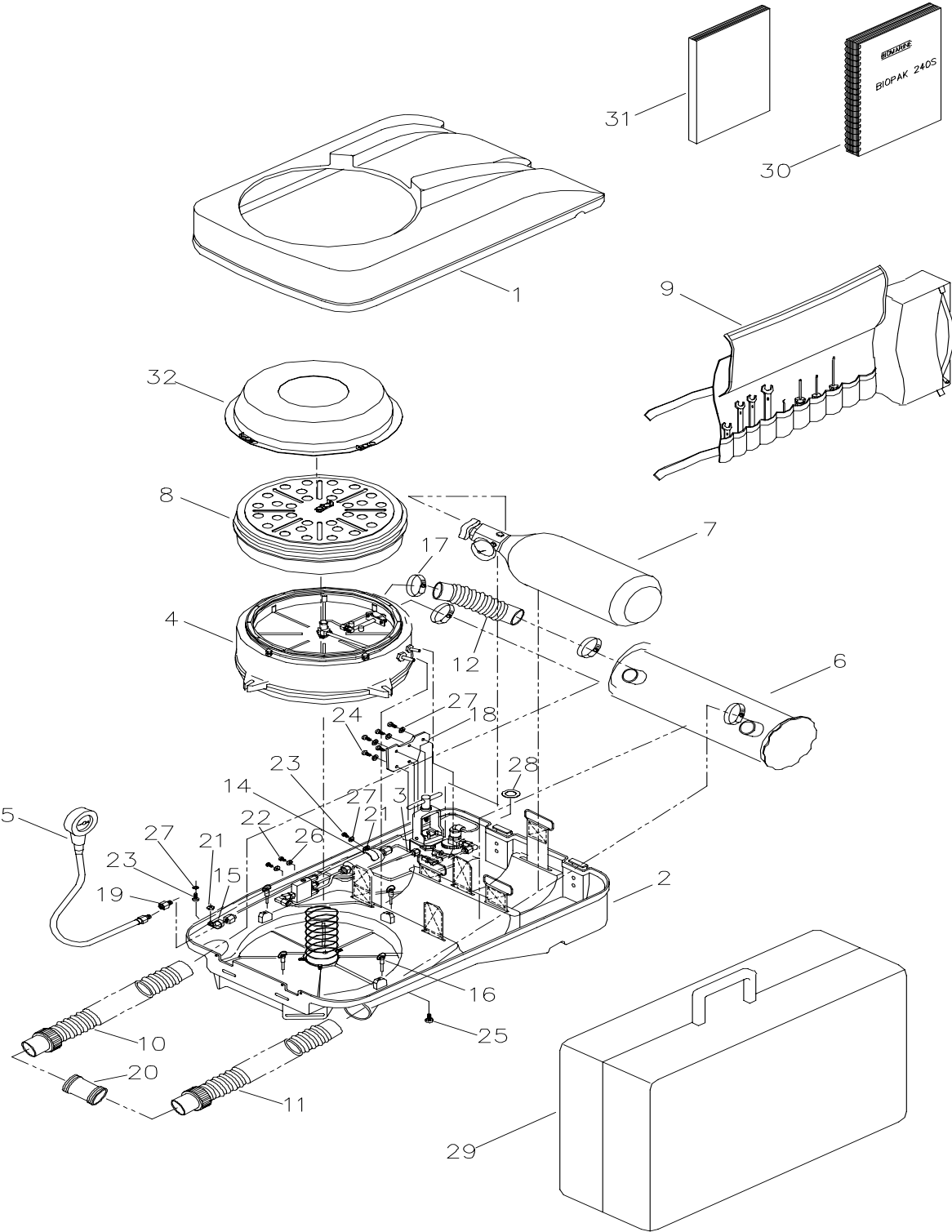
Scott Facemask Assembly (Diagram 1S)



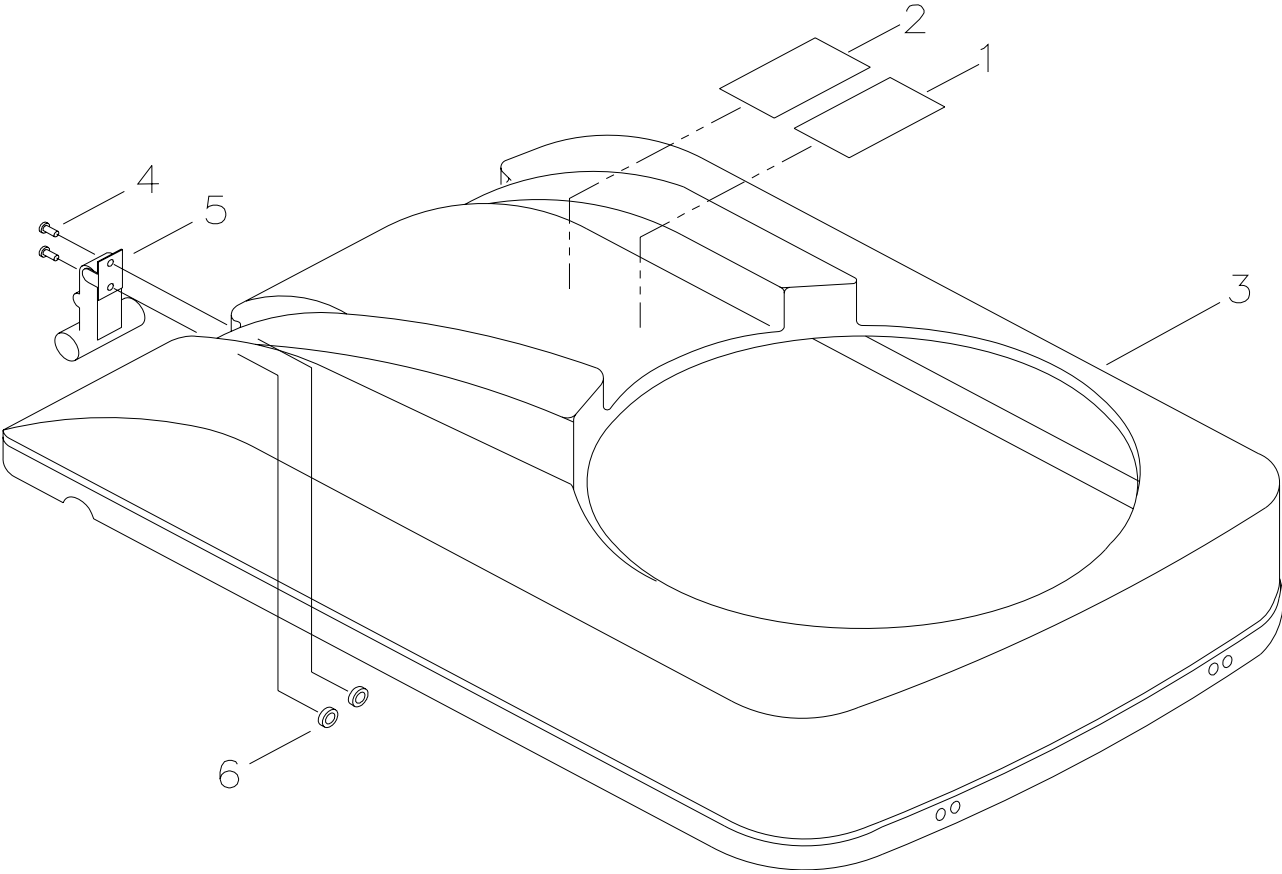
Interspiro/AGA Facemask Assembly (Diagram 2S)



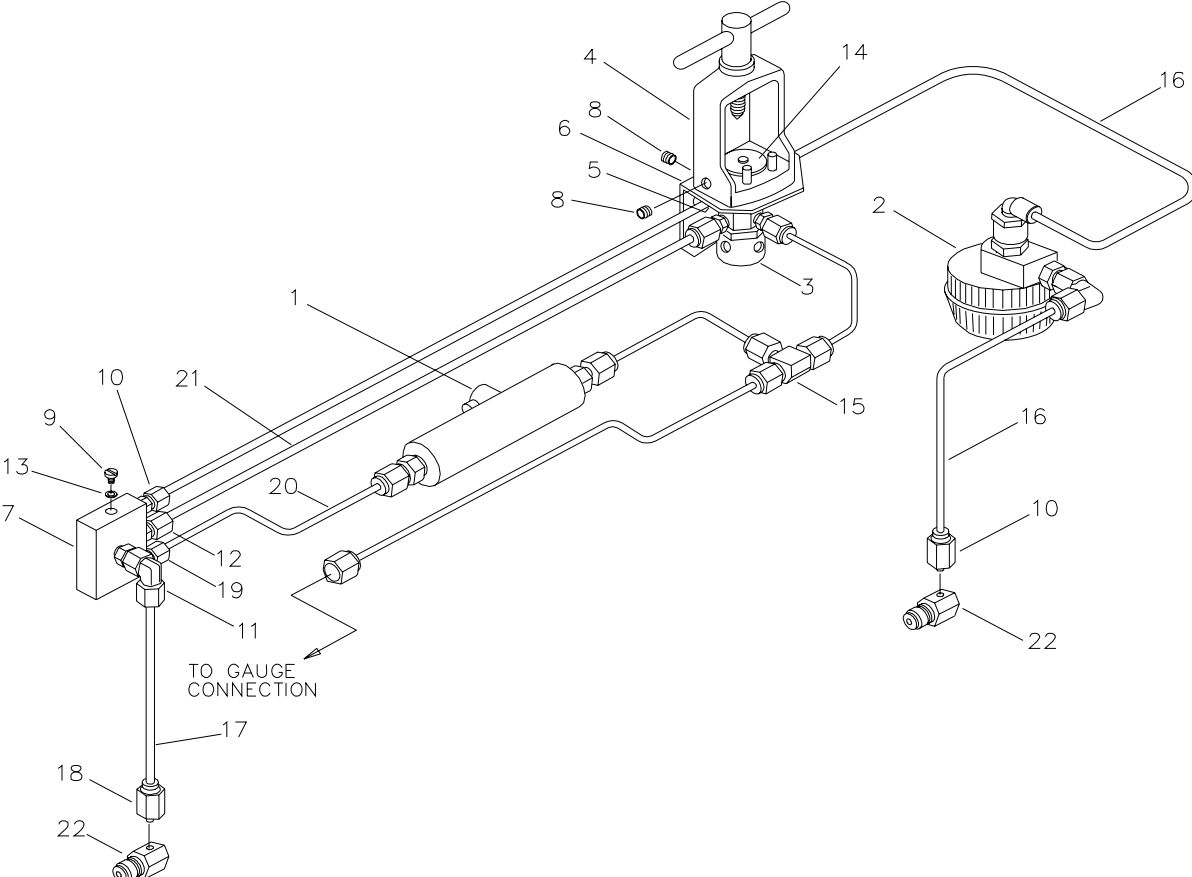
Top Assembly (Diagram 3-S)



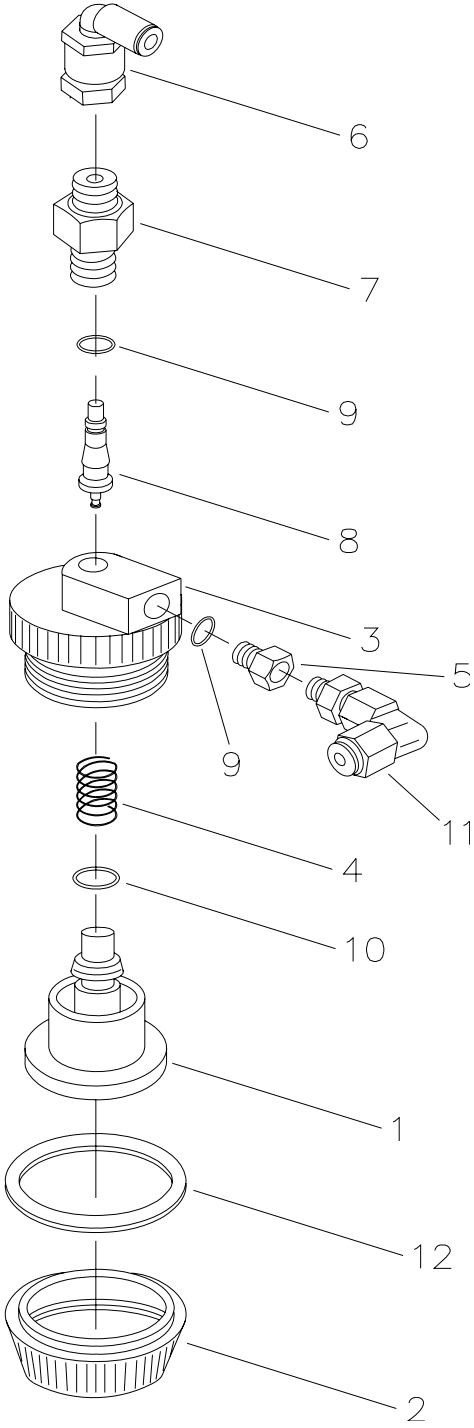
Upper Housing Assembly (Diagram 5-S)



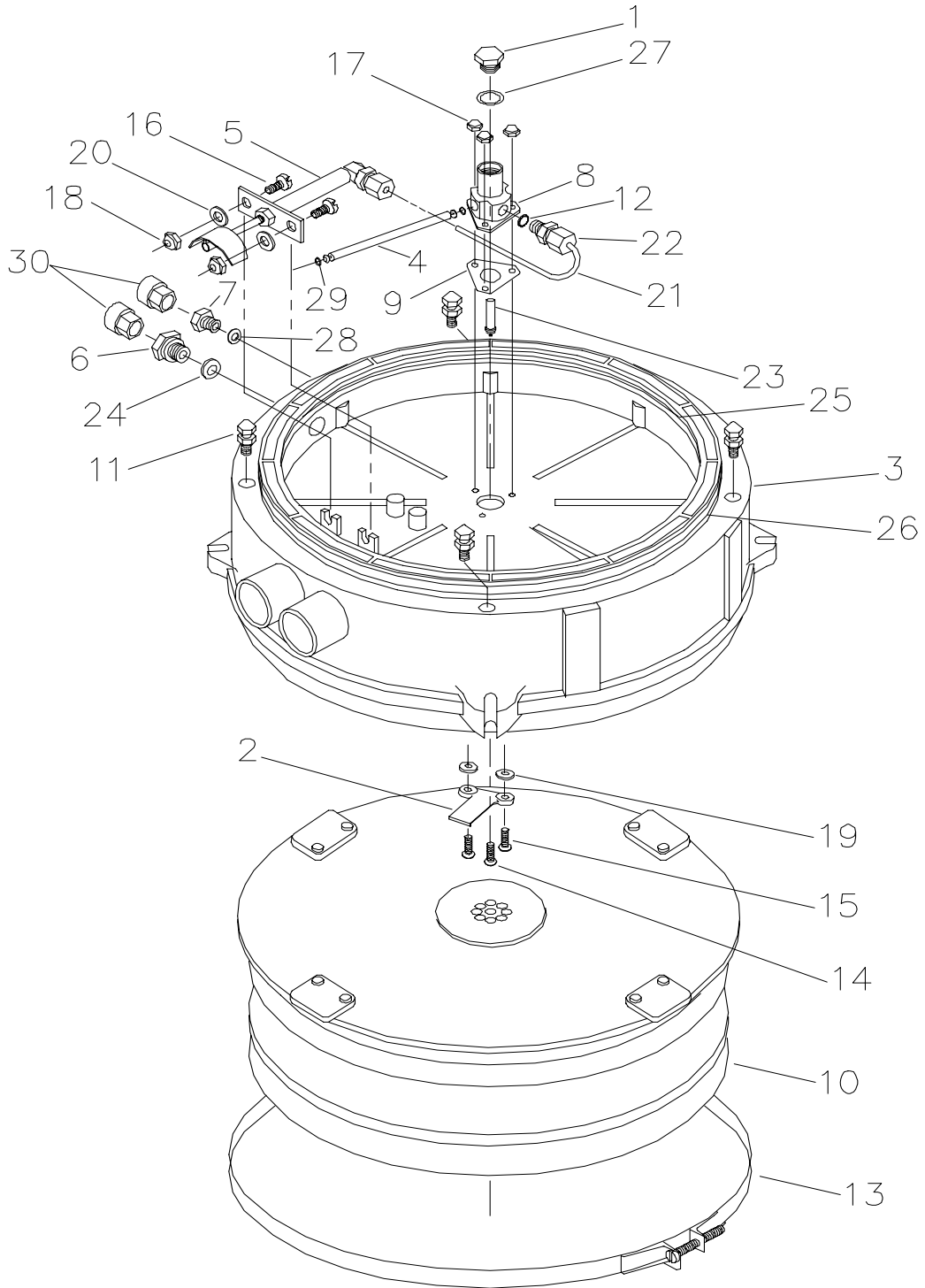
Pneumatic Assembly (Diagram 6-S)



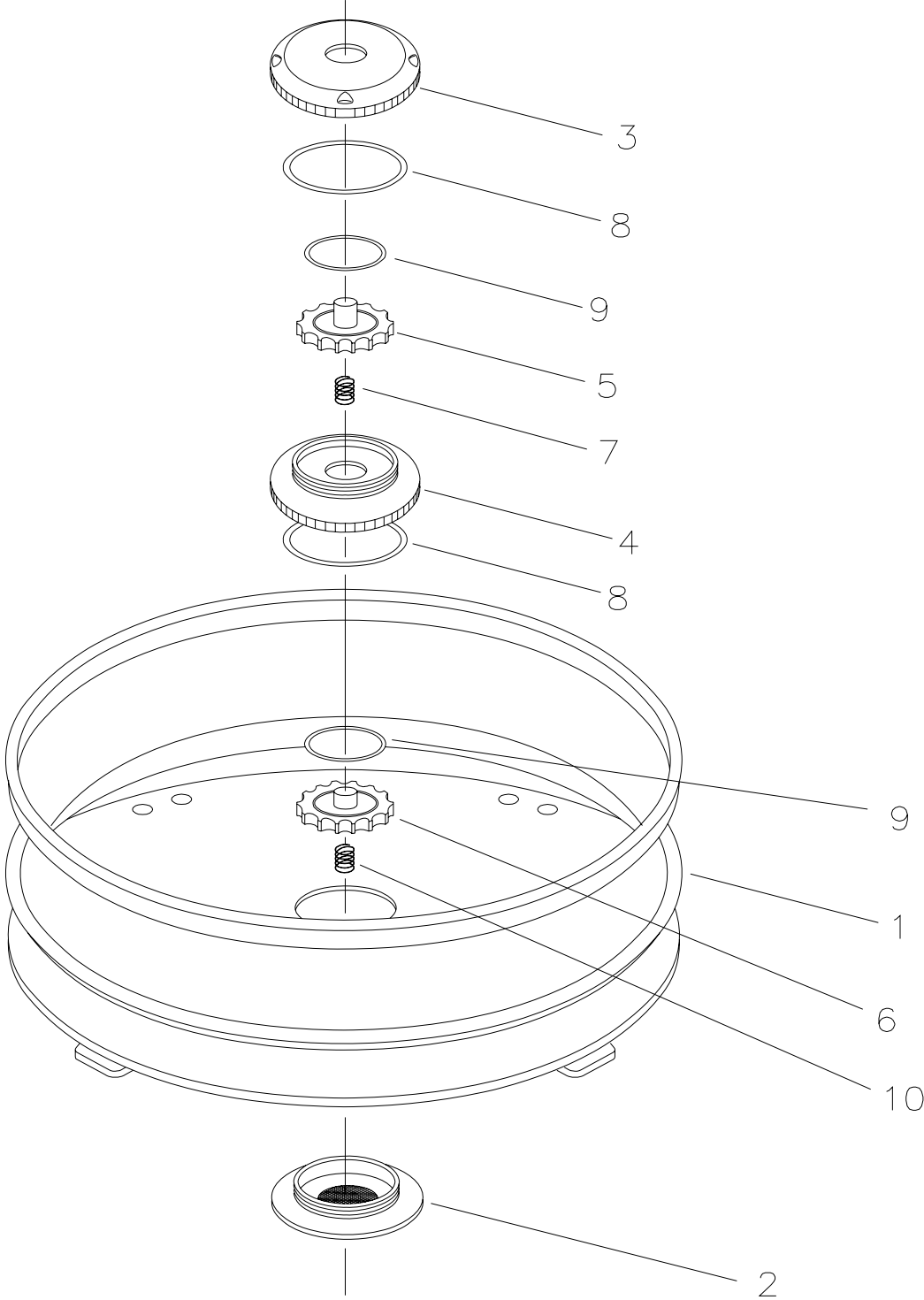
By-pass Valve Assembly (Diagram 7-S)



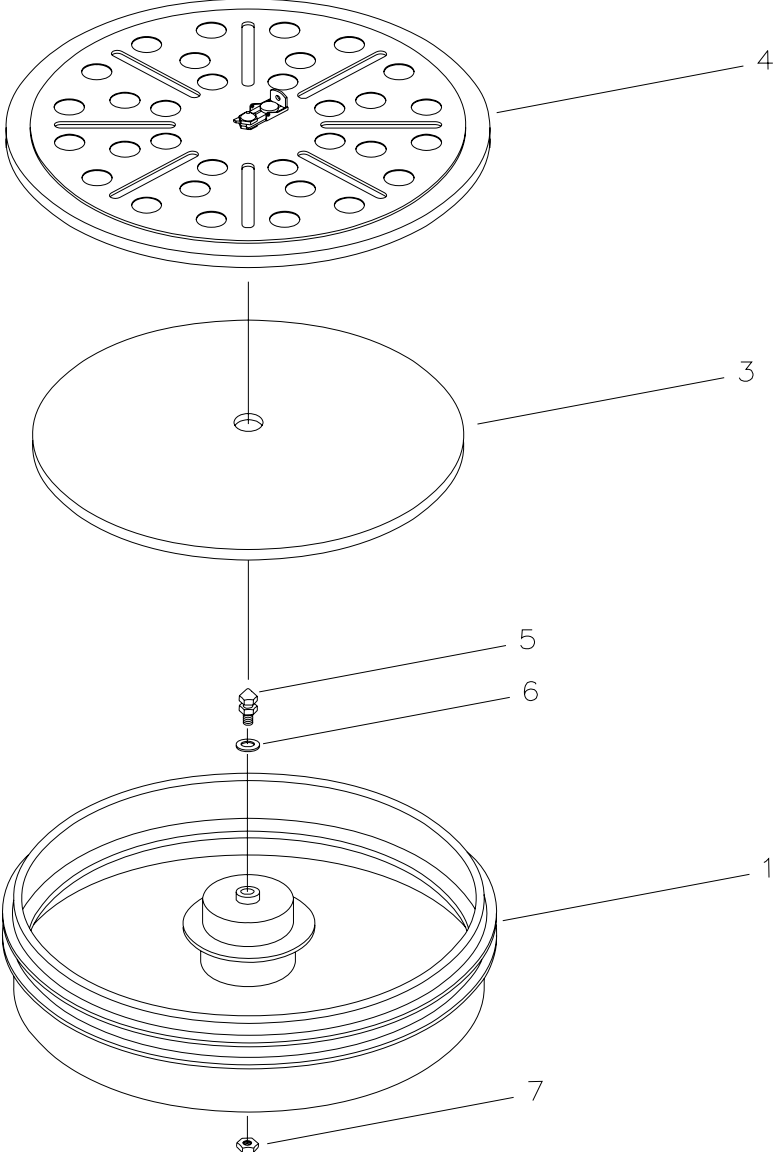
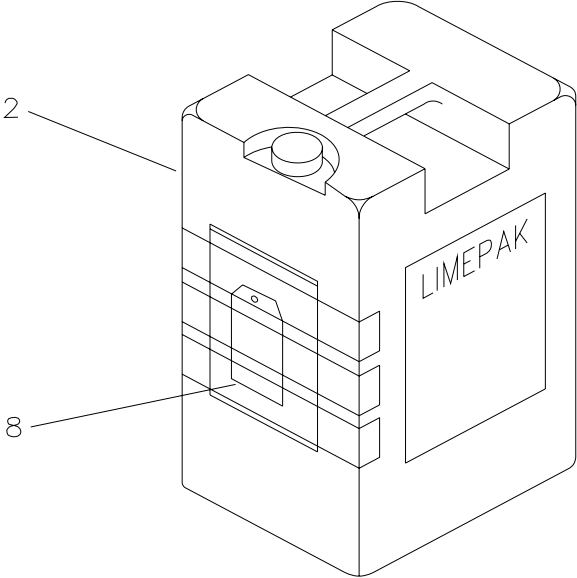
Breathing Chamber Assembly (Diagram 8-S)



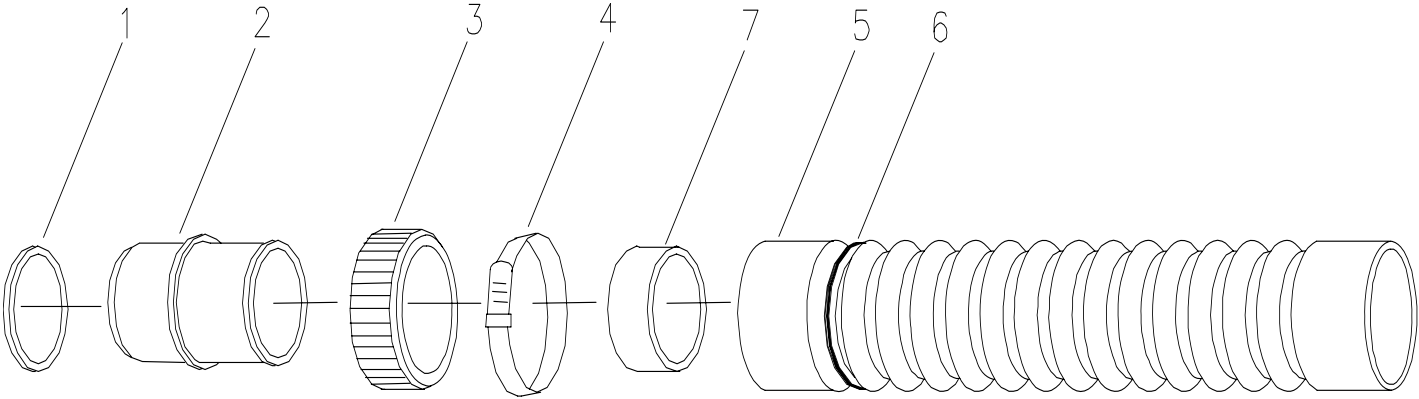
Diaphragm Assembly (Diagram 9-S)



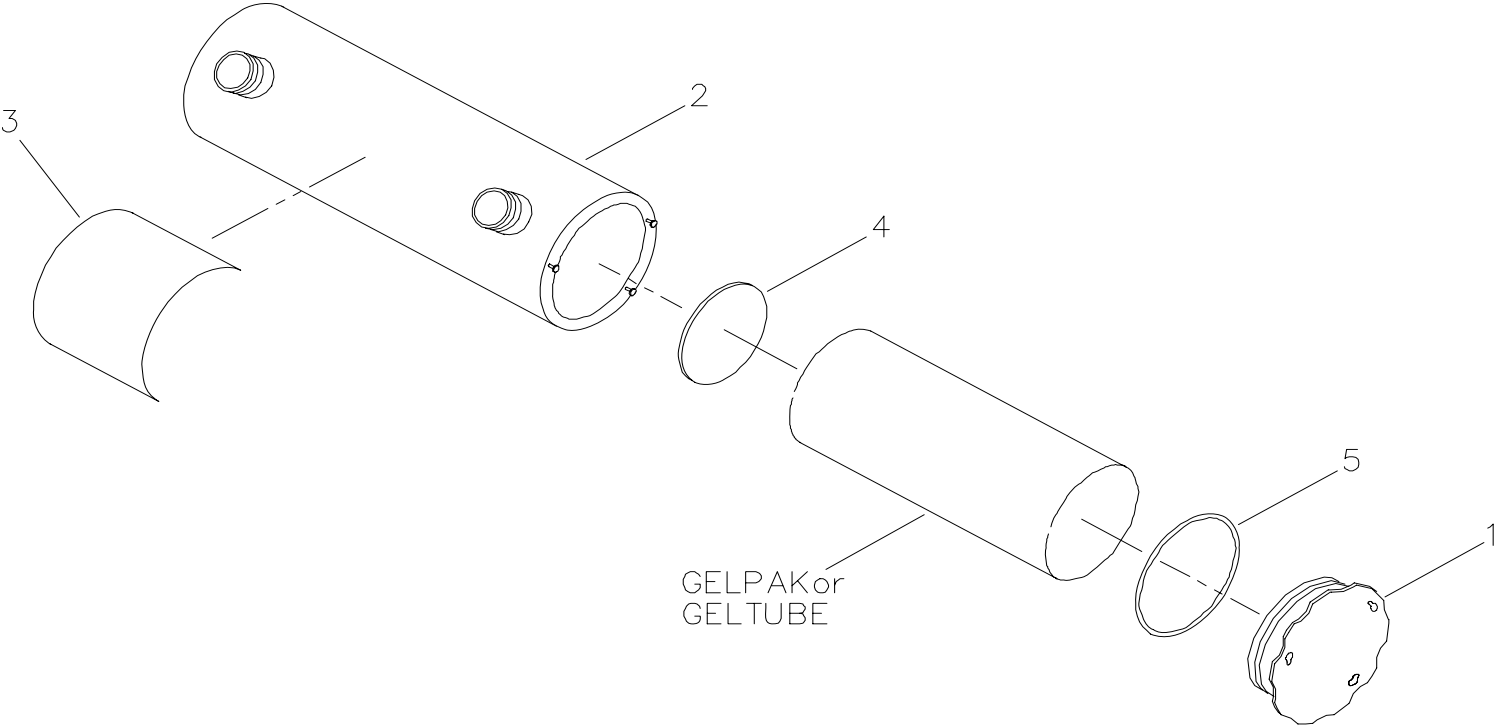
Carbon Dioxide Scrubber Assembly (Diagram 10-S)



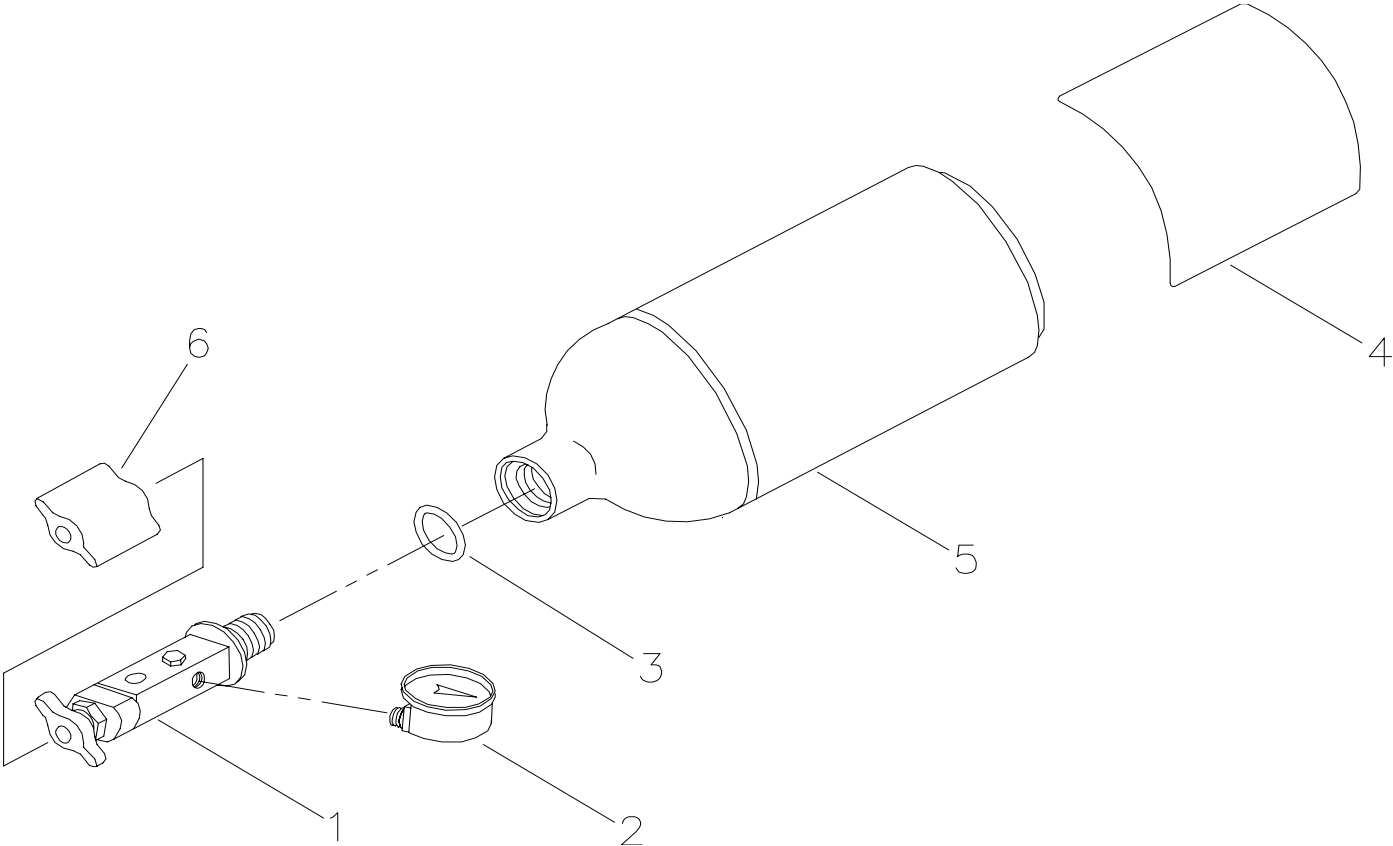
Breathing Hose Assemblies (Diagram 11-S)



Coolant Canister Assembly (Diagram 12-S)



Oxygen Cylinder Assembly (Diagram 13-S)



Tool Kit Assembly (Diagram 14-S)

