



**Introduction:**

The Ntron Series OxyTx is a field proven, cost effective solution to the measurement of Oxygen concentrations within any gas mixture. It is a two-wire loop powered Intrinsically Safe (ATEX) transmitter suitable for Process or Ambient Oxygen Measurement.

**Operation:**

The Ntron Series OxyTx when used with the Ntron OC-16 Oxygen Sensor (PS-9904-02E) gives a display of the percentage oxygen and transmits a 4-20 mA signal proportional to the Oxygen concentration.

This measurement is a percentage by volume reading and is unaffected by barometric pressure changes. The Ntron OC-16 sensor is a rugged screw-on device that is easy to fit or replace.

The OxyTx is has an Industrially rugged housing constructed of ABS and has an IP66 rating.

The display is a large 4 digit LCD display and there is also a green blinking led to indicate that the two wire loop is complete with power available.

Calibration is by simple push button operation eliminating the need to adjust potentiometers. A tamper-proof cover conceals the push buttons.

The non-intrusive user set-up and calibration permits operations and maintenance within Hazardous rated areas.



OxyTx

**Features:**

- LCD Display & 4 to 20 mA output.
- Pushbutton calibration & green flashing 'confidence' LED
- Remote sensor for flexible installation / applications.
- Intrinsically safe & water/ dust proof to IP66.

## Specifications:

<b>Size</b>	122 x 122 x 75mm nominal
<b>Weight</b>	0.65Kg
<b>Gas Types</b>	Oxygen
<b>Operating Voltage</b>	7 to 30vdc (for 4 to 20 mA signal)
<b>Cable</b>	2 core (plus screen) BS 5308
<b>Output Signal</b>	0mA - open circuit 4mA - zero gas 20mA - full scale gas 22mA - over-range
<b>Max. Cable Loop Resistance</b>	Signal - 560 ohms at 24vdc
<b>Sensor Type</b>	OC-16.
<b>Detection Principle</b>	Electrochemical.
<b>Operating Temperature</b>	- 20 to +40 deg.C
<b>Humidity Range</b>	Oxygen - 0 to 99% RH non-condensing
<b>Operating Pressure</b>	Ambient + or - 10%
<b>Hazardous Area Certification Standards</b>	EN50014, EN50020
<b>BASEEFA Certificate No's</b>	BAS01ATEX2300 Code EEx ia IIC T4 II 2G.
<b>Zones</b>	0, 1 & 2

**Note – Standard gland entry is 20mm x 1.5mm pitch thread.**



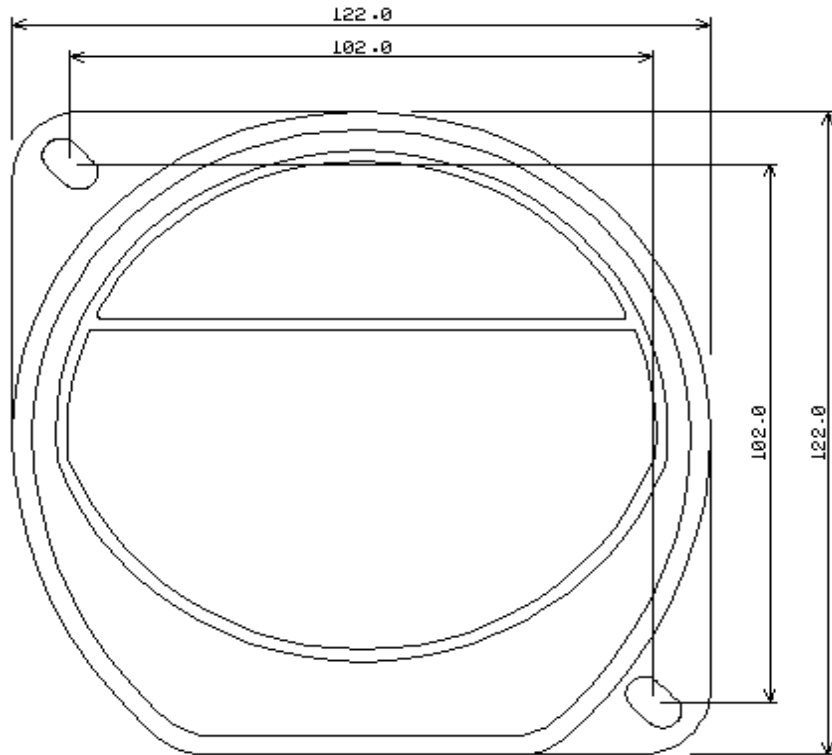
**Remote Sensor Junction Box (Optional)**



**OC16 Oxygen Sensor**



**Mounting Details:**



**Ntron Europe Ltd Ltd**

Mullaghboy Ind Park.

Navan.

Co Meath.

Tel: (353) 046 9071333 Fax: (353) 046 9071331

Email: [info@ntron.com](mailto:info@ntron.com)

[www.ntron.com](http://www.ntron.com)

