

# FGD14 O2

## GAS DETECTOR/TRANSMITTER FOR OXYGEN

Intrinsically Safe Surface Mounted Stand Alone Gas Detector/Transmitter.  
Designed for Minimum Installation & Maintenance Costs



### Typical Installations

- Boilerhouses
- Swimming Pools
- Car Parks
- Breweries and Cellars
- Petrol Stations
- Landfill Sites
- Hospitals
- Department Stores
- Greenhouses
- Refrigeration Plants

The FGD14 O2 Gas detector is designed to provide an affordable means of accurately monitoring ambient gas levels in commercial and industrial *safe area* (i.e. not a potentially explosive atmosphere) applications. It operates as a stand-alone detector and models are available with either an Integral or Remote mounted Sensor.

The detector is for use with an Electrochemical sensor for the detection of Oxygen.

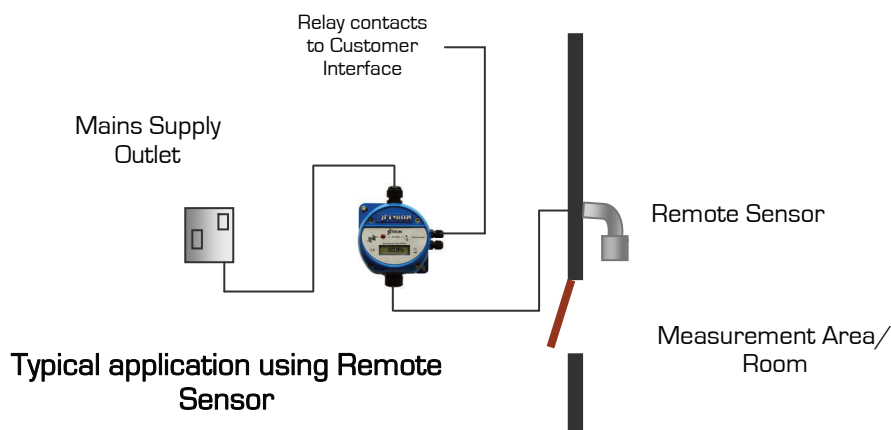
For pricing and part number information, please contact our sales department at the address shown overleaf.



Other Ntron Products  
At [www.ntron.com](http://www.ntron.com)



<b>Size</b>	: 122 x 142 x 75mm nominal
<b>Weight</b>	: 0.9Kg
<b>Gas Type</b>	: Oxygen
<b>Operating Voltage</b>	: 230 VAC 50Hz.
<b>Alarm set points</b>	: 2 user adjustable set points .
<b>Alarm output</b>	: Voltage free, single pole changeover relay contacts. User selectable for either normally energised or normally de-energised operation
<b>Alarm contact rating</b>	: 1A, 30Vd.c. non-inductive load.
<b>Visual alarm indication</b>	: Flashing red LED on front panel.
<b>Audible alarm indication</b>	: Intermittent alarm tone on front panel.
<b>Sensor Type</b>	: Electrochemical.
<b>Measurement range</b>	: 0-25% O2
<b>Response Time</b>	: $T_{95} < 15$ sec
<b>Measurement Resolution</b>	: 0.05% Vol. O2.
<b>Operating Temperature</b>	: -20 to +40 °C
<b>Humidity Range</b>	: 0 to 95% RH non-condensing
<b>Operating Pressure</b>	: Ambient + or - 10%



**Ireland Office:**  
Mullaghboy Industrial Park,  
Navan, Co Meath, Ireland.  
Telephone +353 46 9071333  
Fax: +353 46 9071331  
E-mail: info@ntron.com  
Web: www.ntron.com

**UK Office:**  
Dallam Court, Dallam Lane,  
Warrington, WA2 7LT. United Kingdom.  
Telephone +44 [161] 9308690  
Fax +44 [161] 9308691  
E-mail: info@ntron.com  
Web: www.ntron.com