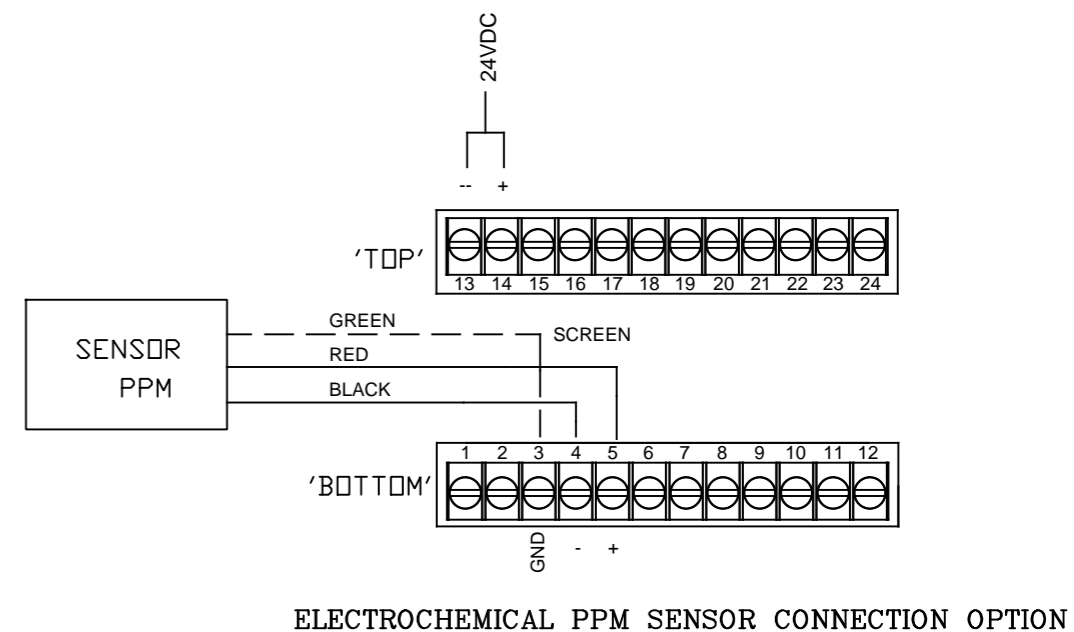
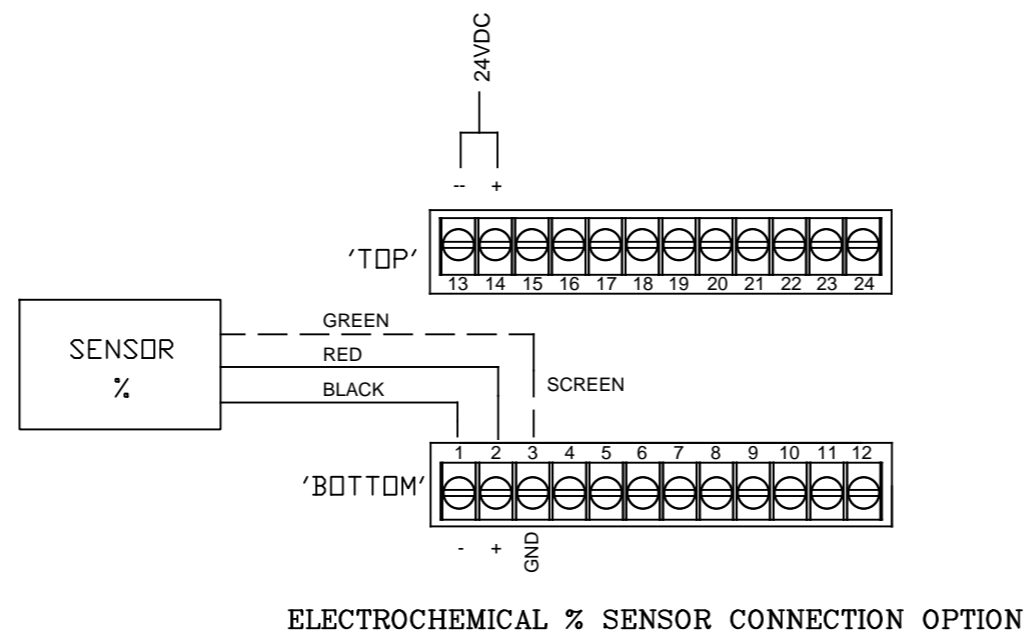
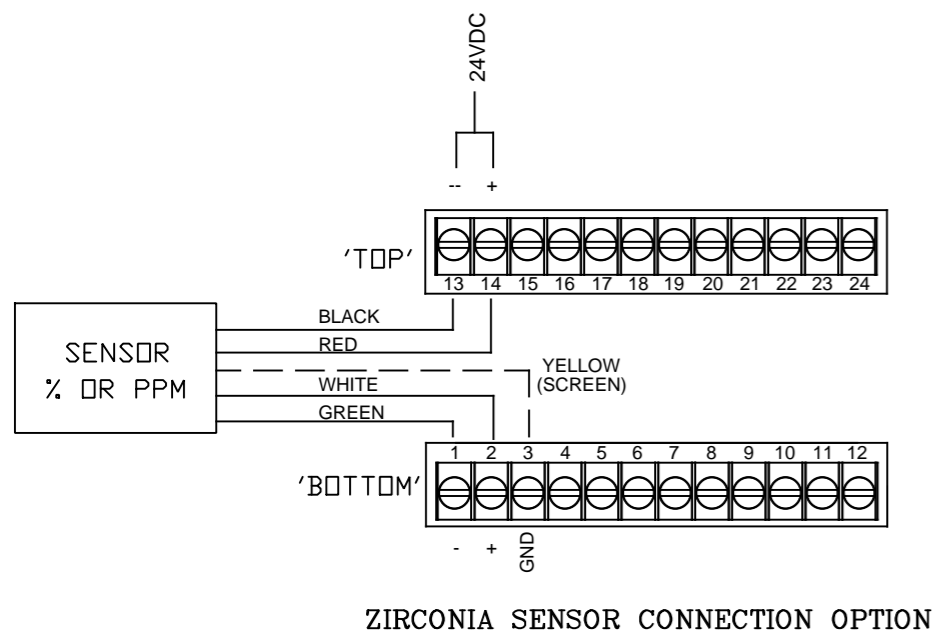


GENERAL OVERALL CONNECTION DETAIL



REV.	DESCRIPTION	DRN.	CHD.	APP.



TITLE: DIN RAIL MOUNTED MICROX ANALYSER & SENSOR OPTIONS  
DIMENSIONAL DRAWING

S.O. NO.	N/A	DRAWING NUMBER	DRN.	CHD.	APP.	REV.
Q.No.	N/A	SD016	CH	MW	MW	0
SCALE	N.T.S.	PAGE 1	OF	1	1	
DATE	29-08-2019					